



DMA
DAVE MURPHY & ASSOCIATES
PRESENTS

**PACIFIC LIGHTING
LOOK BOOK**

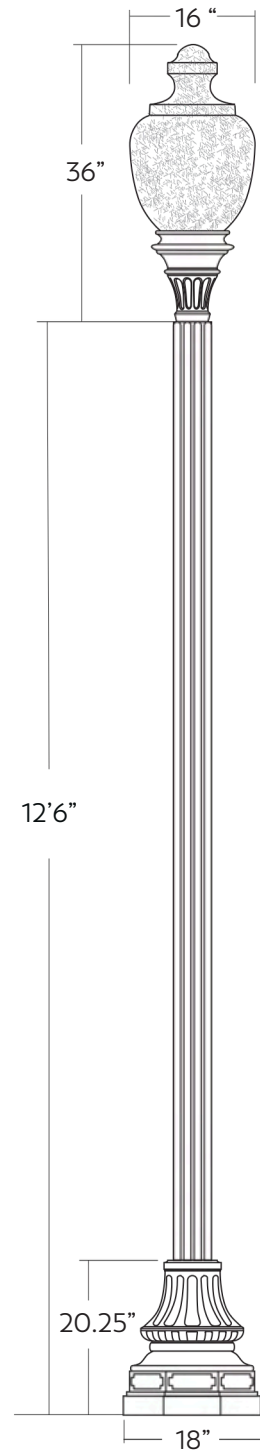
POST TOPS



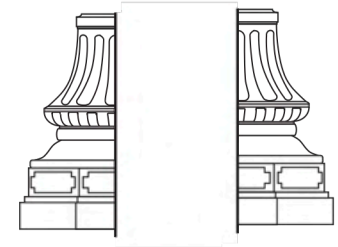




PAE-50-LED-MT-3-4-V-PT-
RSA-5F-12'6"-BC WO -1820

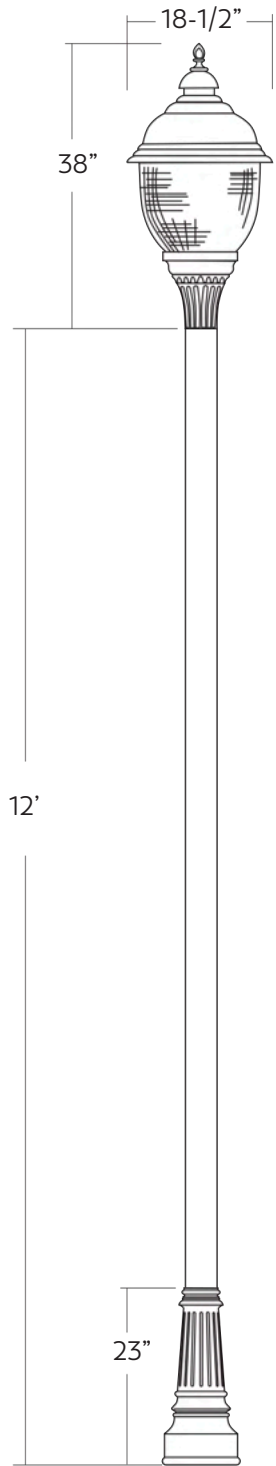


TWO PIECE CAST
ALUMINUM BASE COVER

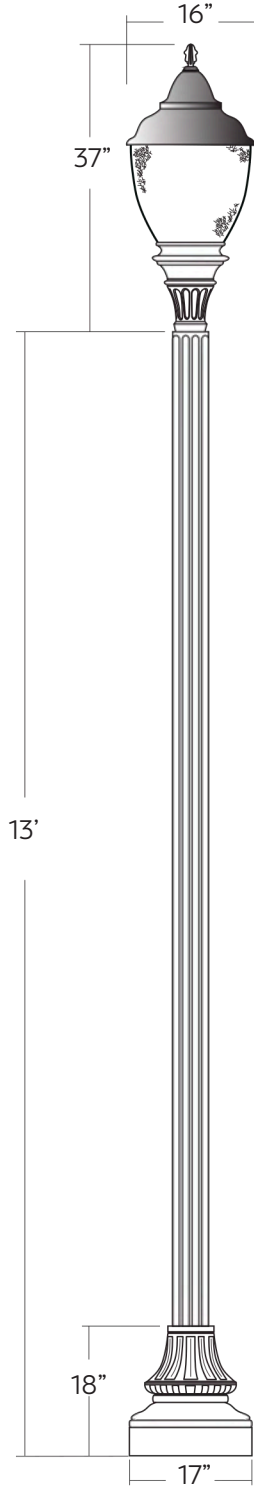


4

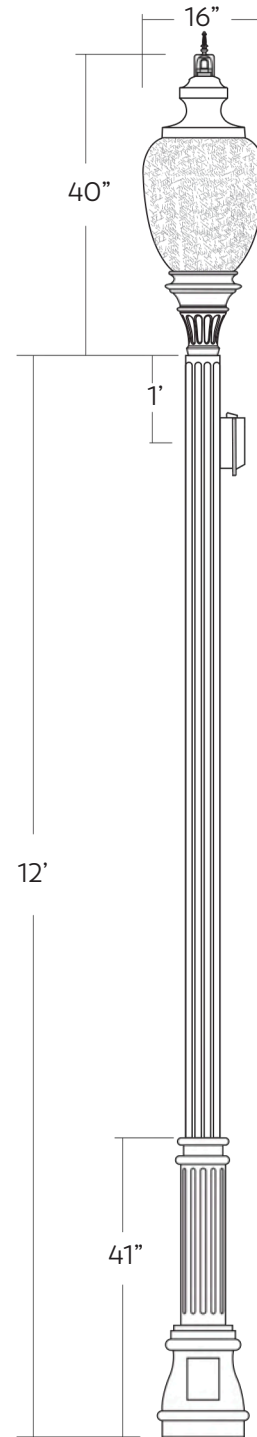
LO-55L-MT-5-3-V-PT-
RSS-11-412-TXBK-BCN-4



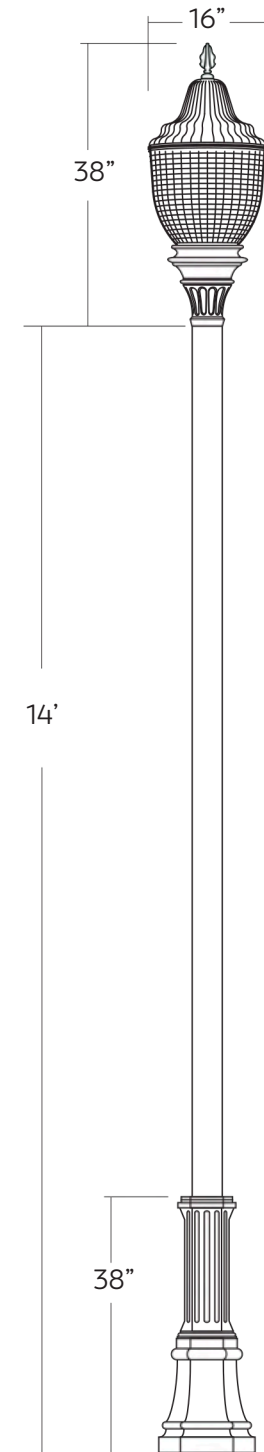
PAAM-SPHD-40-LED-MT-4-3-III-PT-
FIN-DBCS-5F-13-BK



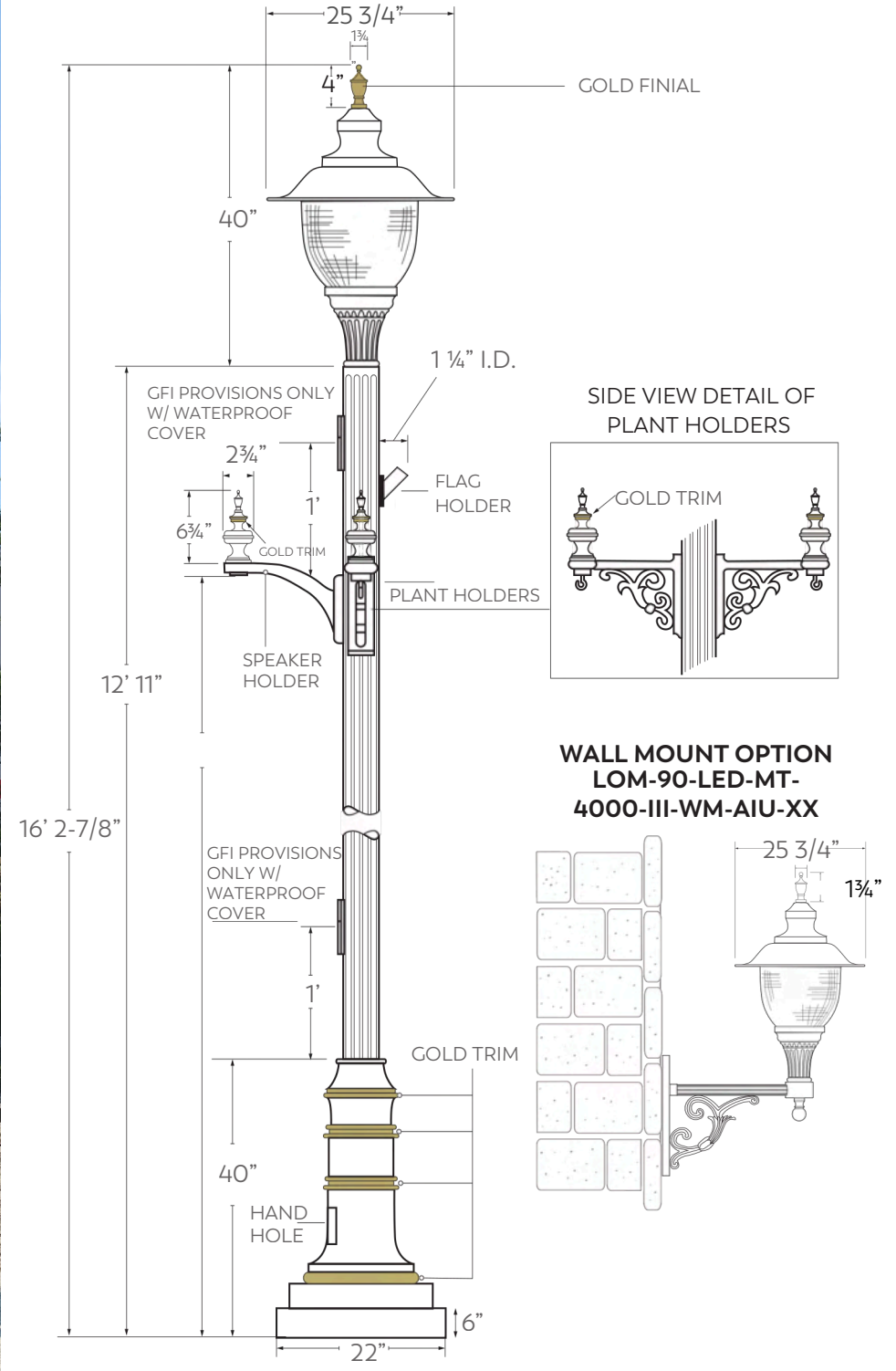
PAG-40L-MT-3-3-IV-PT-TLRC7FIN-
DBE-4F-12-TXBK-GFIUC-1'T



PAM-424-40-LED-MT-3-3-III-PT-
RSA-7-414-TXBK-BCBO-4

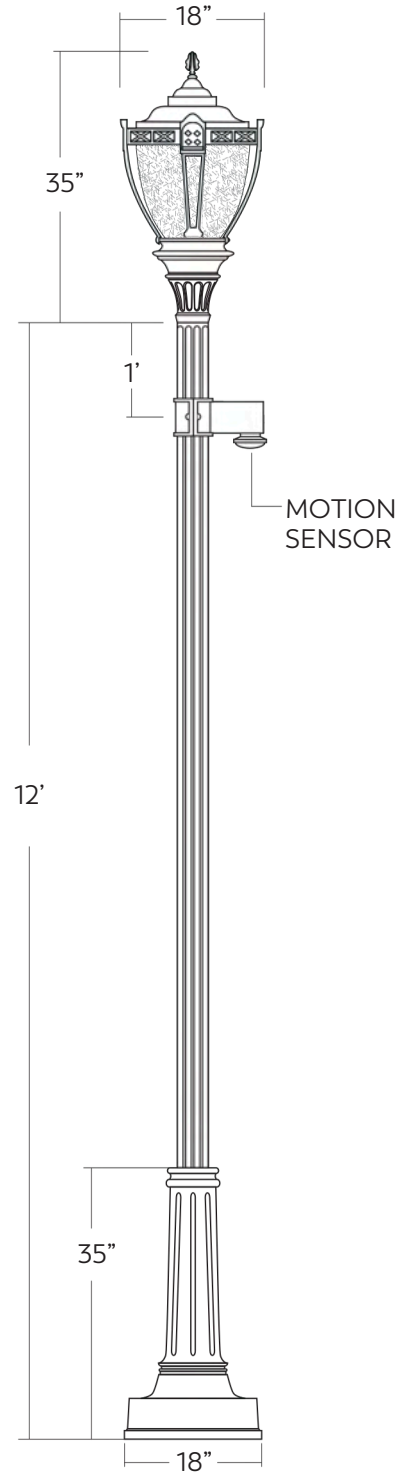


LOM-90-LED-MT-4000-III-PT DBK-5F-15-FH-SP-PH-2A-(2)GFI





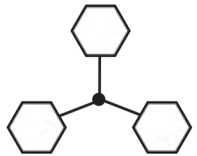
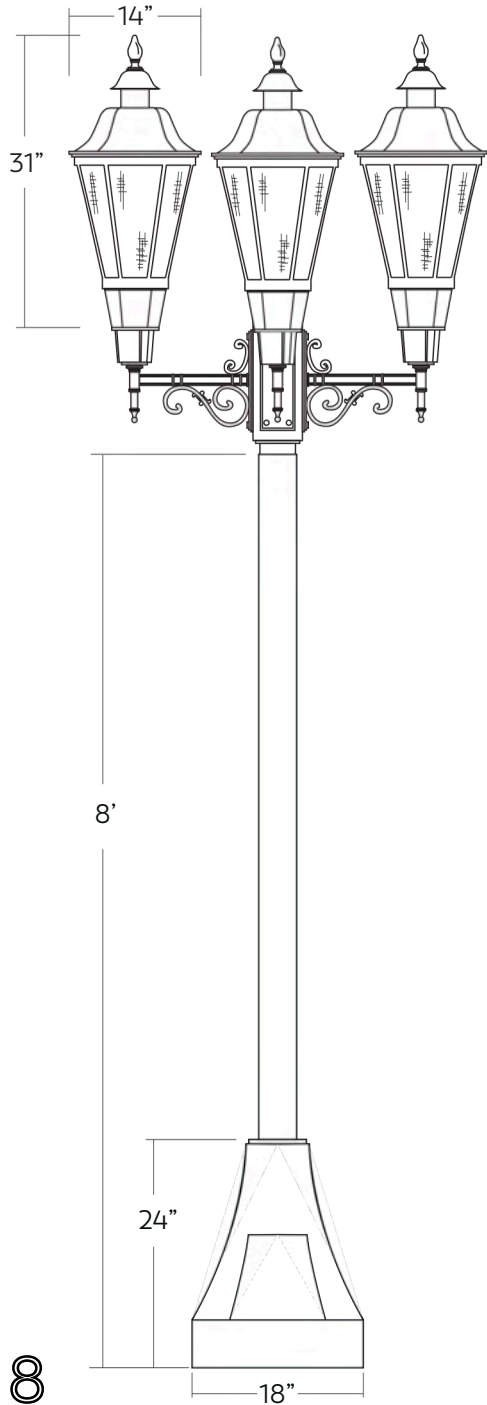
PAGL-50L-MT-3-4-III- PT-MS-DBV-4F-12-BZ



PALM-PL107-SPHD-40L-MT-5-4-V-PT-DBPS-4F-16-XX-NDBC



MVB-45L-MT-5-3-V-PL-
3B-AHM-DBRB-4N-8-BK

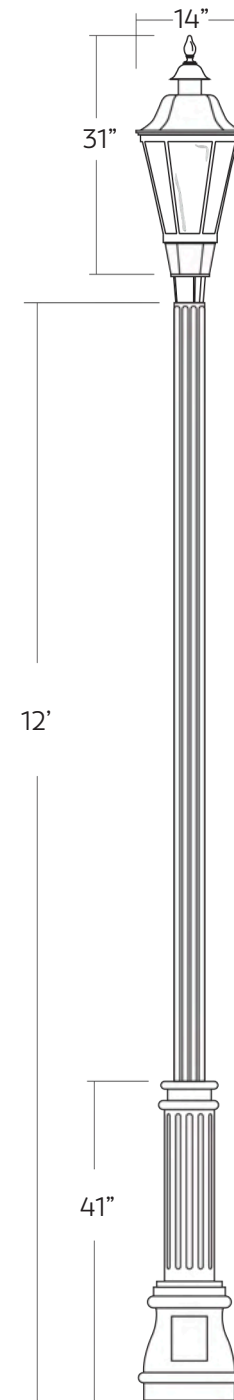


3B - TRIPLE @ 120°

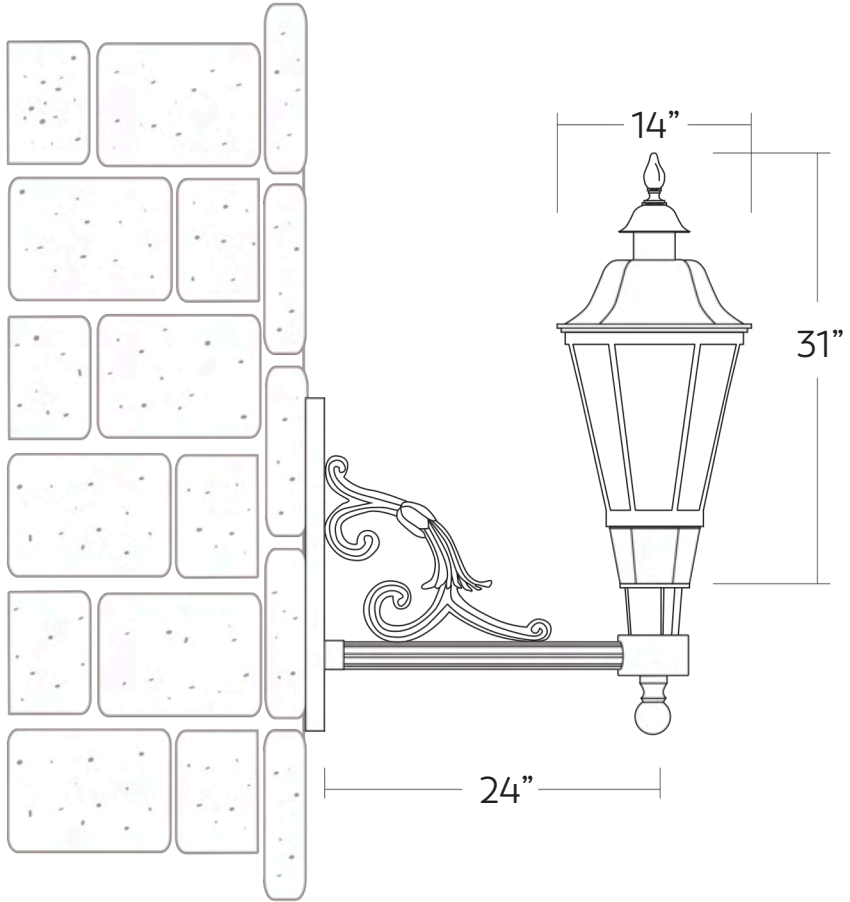




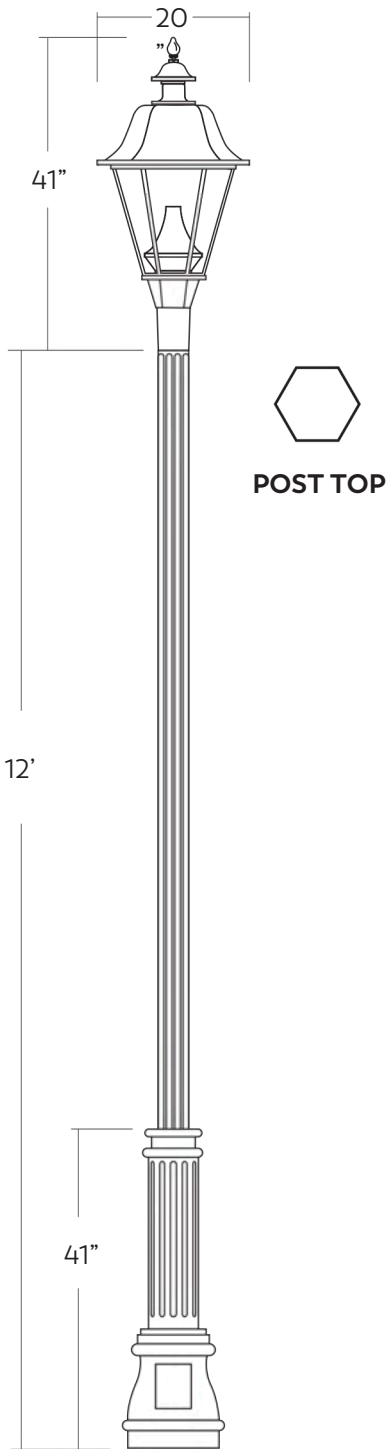
MVB-65-LED-MT-4-4-V- VCL-PT-DBE-4F-12-TXBK



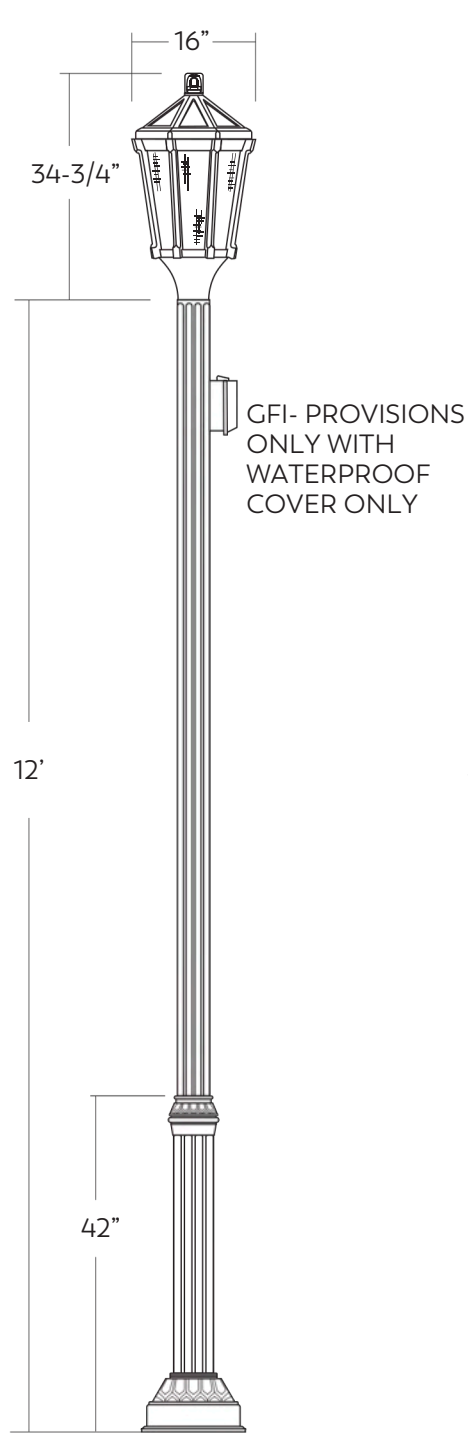
MVB-INC-(3)CAN-CL-WM-
AIUD-TXBK



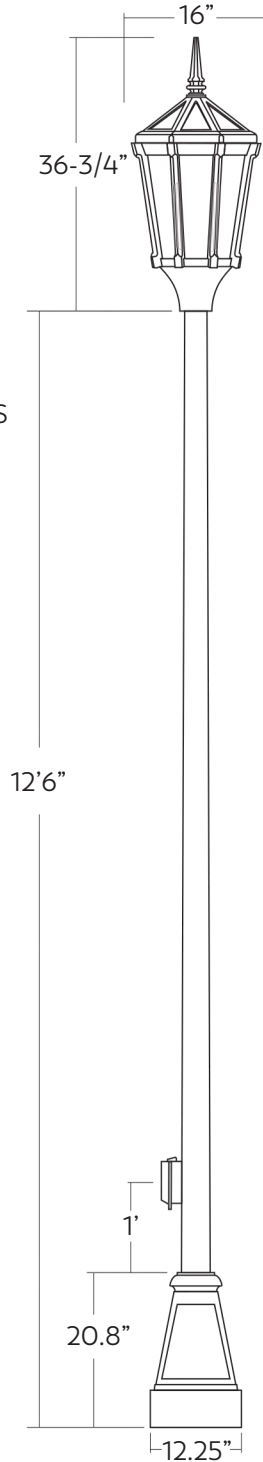
MVA-100L-MT-7-4-V-CL-
CR-PT-DBE-4F-12-GN05



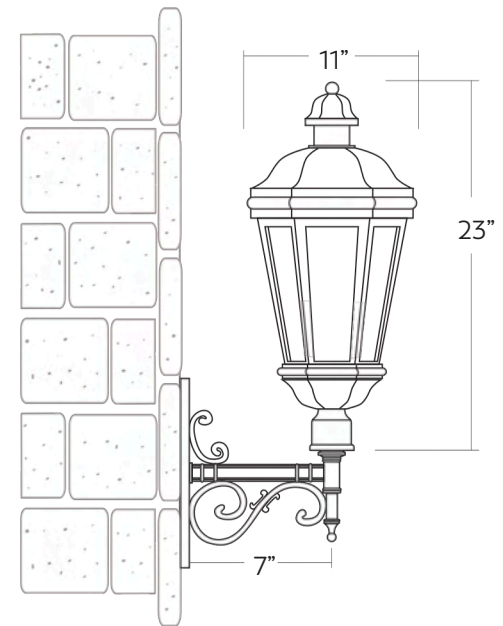
COA-75L-MT-7-4-V-PL-PT-7PRC-
NF-RSA-7-5F-12-VG-BCFL48-GFIUC



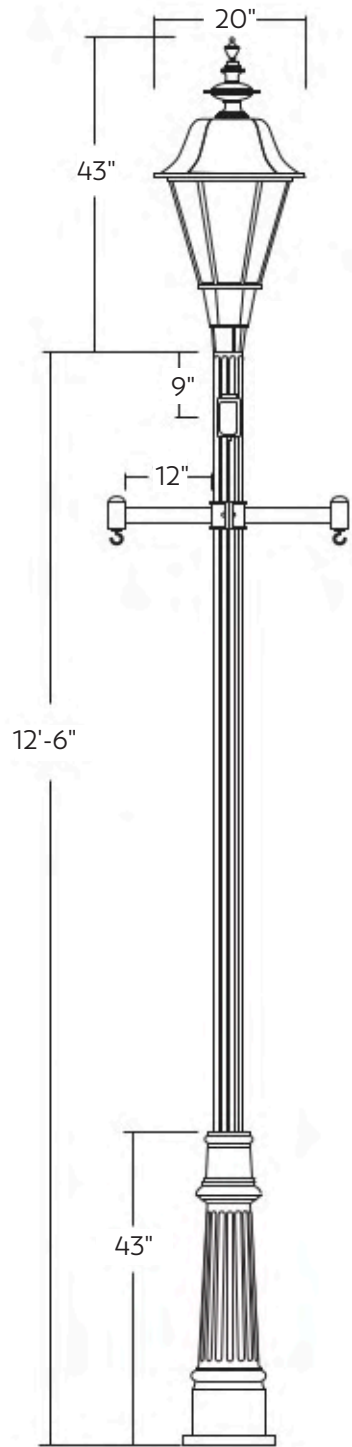
COA-50L-MT-7-4-III-WL-PT-PC-
DBMM-4NT-12'6"-BZ-GFIUC-1'DB



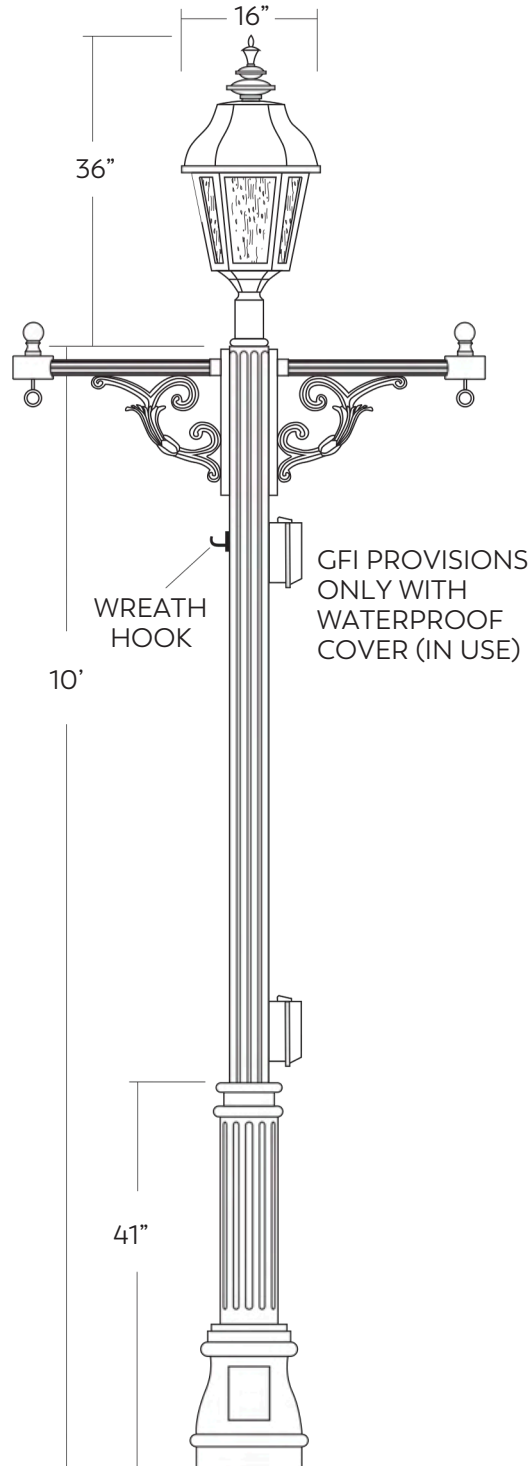
NRD-24-LED-MT-4-3-V-FL-
WM-AHUSM-BK



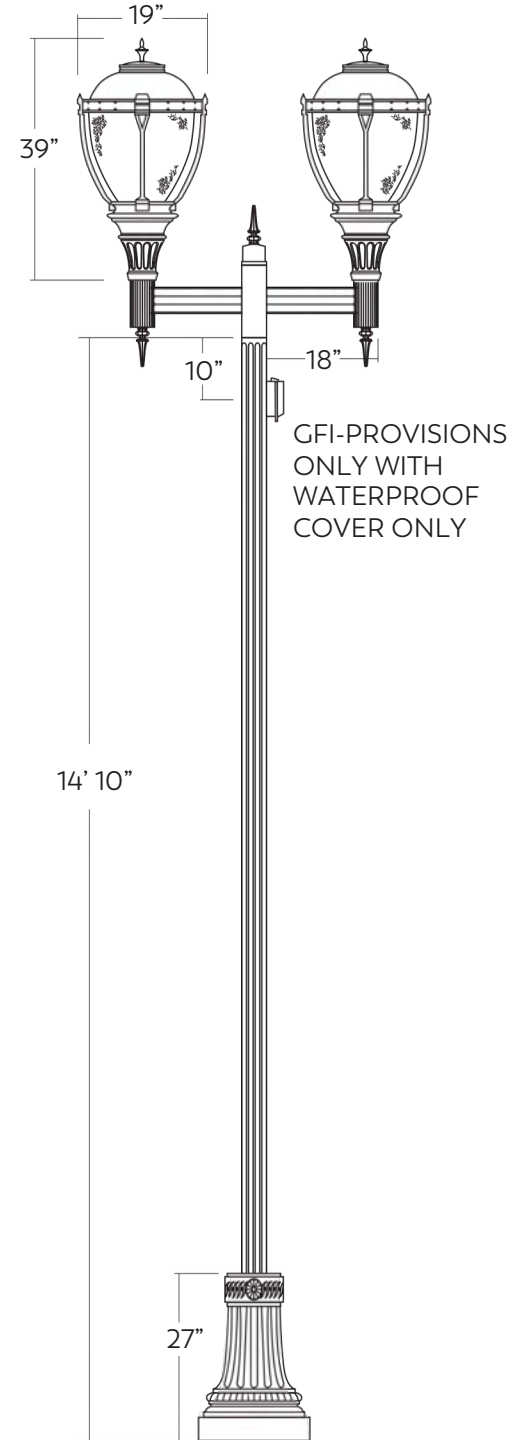
MVA-50L-MT-7-4-V-PT-
DBPS-4F-12'6"-XX-(2A)BA-FPH-GFIUC-9"



GOM-30-LED-120-3-4-II-SL-PT-
(2)AID/FH-DBE-5F-10-BK-WH-(2)GFIUC

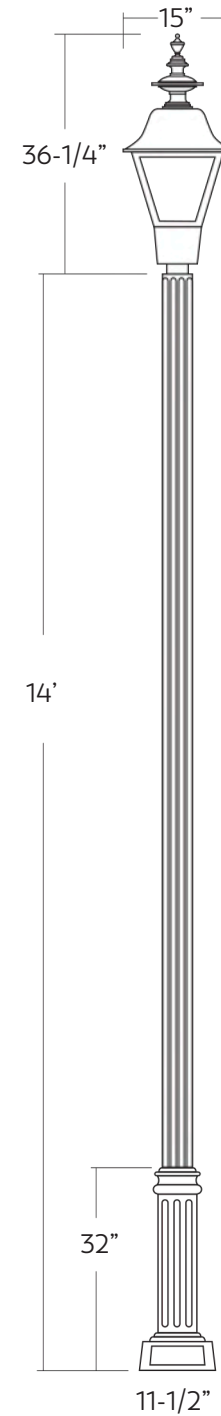


LE-50L-MT-7-5-III-PC-2A-
AAU-TSPC(3)- DBB-4F-14'10"-BK-GFIUC-10"T

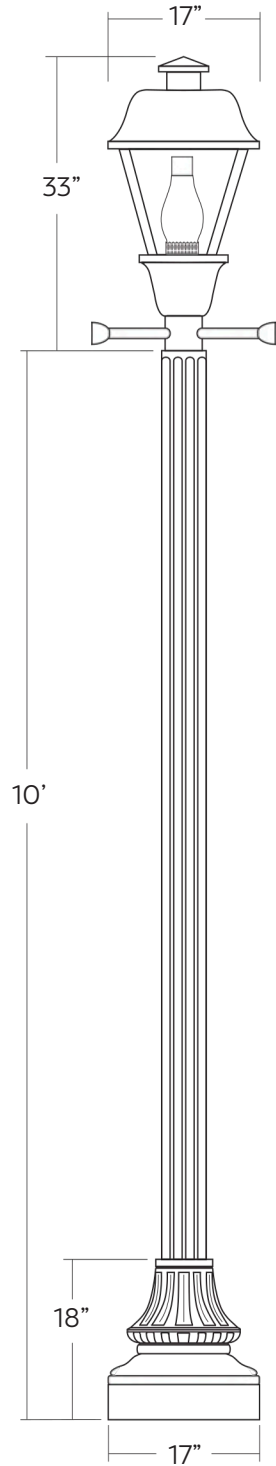




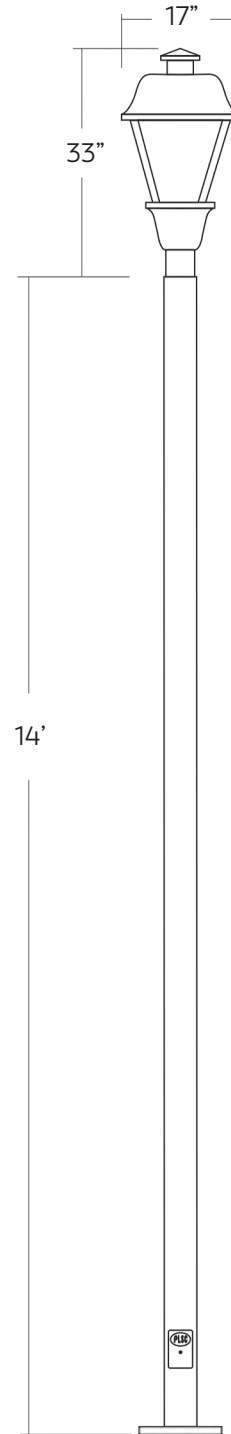
IJ-63-LED-MT-3-3-V- WL-PT-
DBG-4F-14-BK



YL-50L-MT-7-3-V-CL-GC-PT-
LR-DBCS-5F-10-TXBK



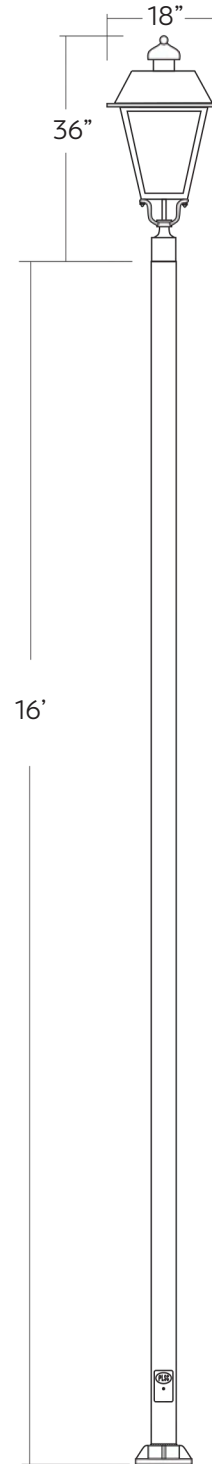
YL-100-S-MT-III-CL-PT-
RSS-11-414-ZPBK-BCV



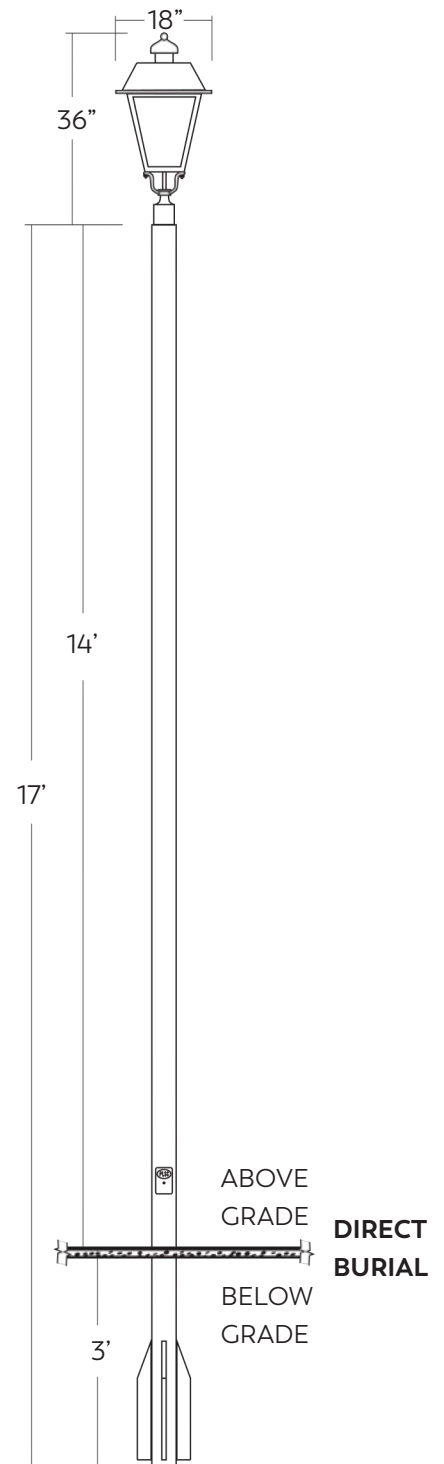




NSM-50-LED-MT-7-3-V-CL-PT-RSA-7-416-TXBK-BCV-4

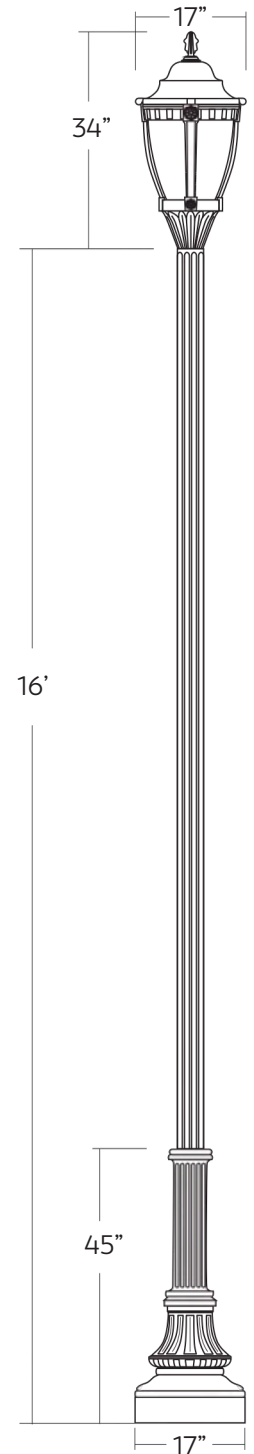


NSM-100L-MT-7-4-V-NL-PT-RSA-DB-7-417-14AG-NSF-XX-BCU-4

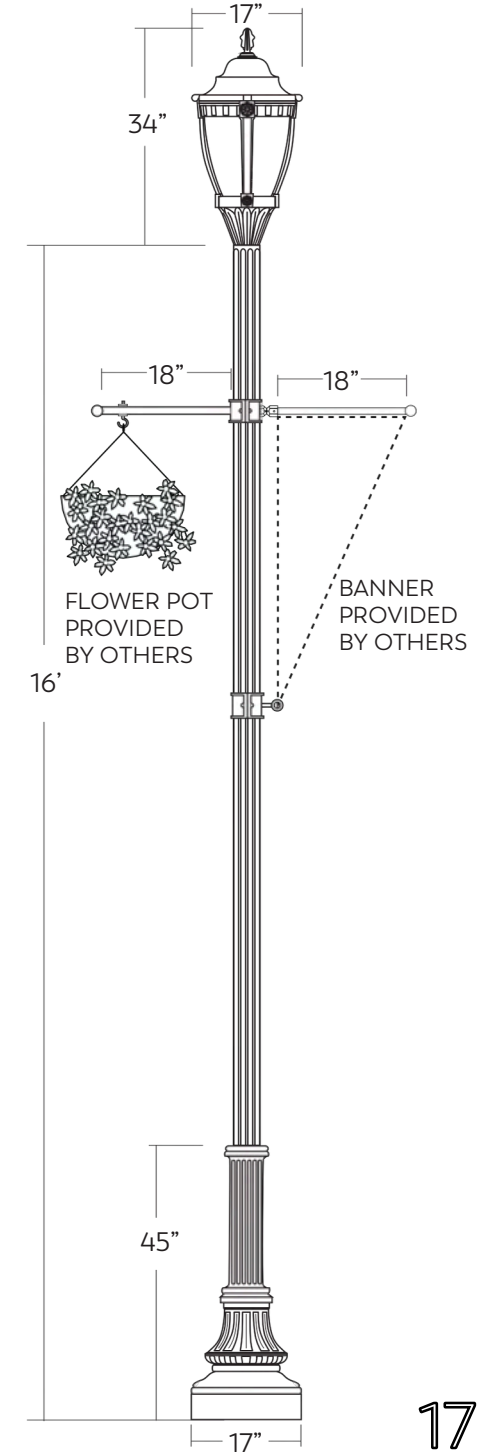




LD -63-LED -MT-3-4-II- PT-
DBCSF-4F-16-BK



LD-63-LED-MT-3-4-II-PT-DBC
SF-4F-16-BK-(2A)BRKBA/FB-EB-CLMP

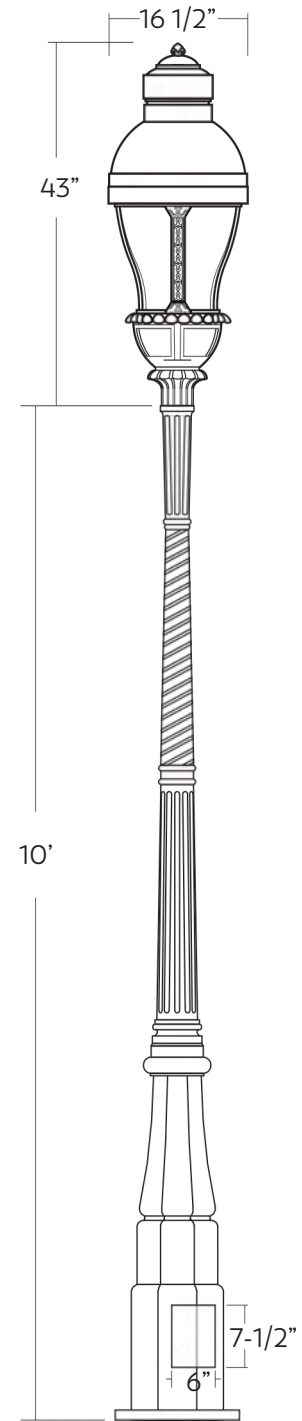


FLOWER POT
PROVIDED
BY OTHERS

BANNER
PROVIDED
BY OTHERS



RT-50L-MT-5-4-V-GC-PT-
DBC-V-10- GN12-13"BCD -LAB



SPECIFICATIONS

Housing: Corrosion resistant, cast A356 aluminum alloy, alloy, .188" min. wall thickness decorative ring, vertical struts and pole tter .090" thick spun aluminum hood.

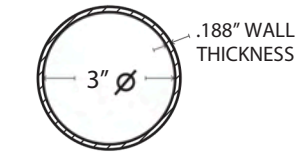
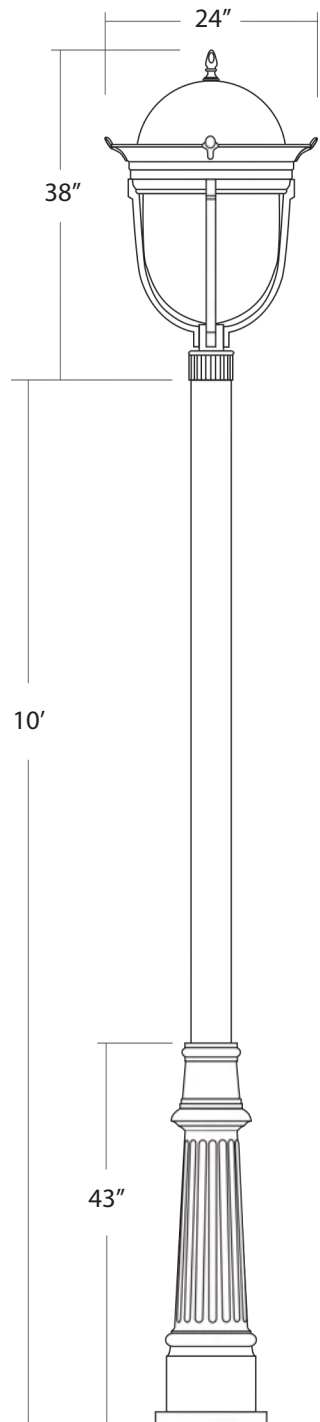
LED: 40 watts, multi-tap.

Lens: Clear polycarbonate tear drop.

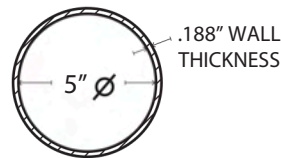
Optics: Type 5 light distribution.

Pole: Tapered durable corrosion, resistant cast aluminum base with hand hole and cover. The pole shall be 5" dia. bottom and 3.6" dia. top x 3/16" wall thickness, extruded 6063-T6 aluminum alloy.

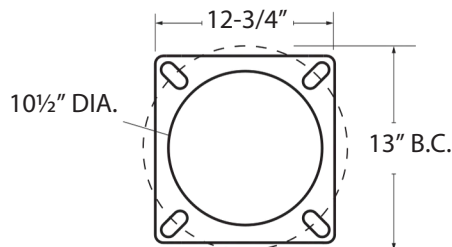
Finish: Textured black polyester powder fuse coating.



TOP SHAFT CROSS SECTION



BOTTOM SHAFT CROSS SECTION



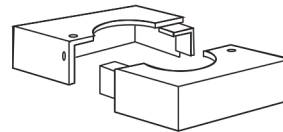
BASE PLATE



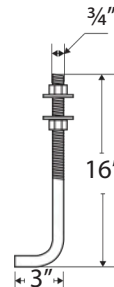
PT - POST TOP



TEXTURED BLACK - TXBK




TWO PIECE FORMED METAL BASE COVER



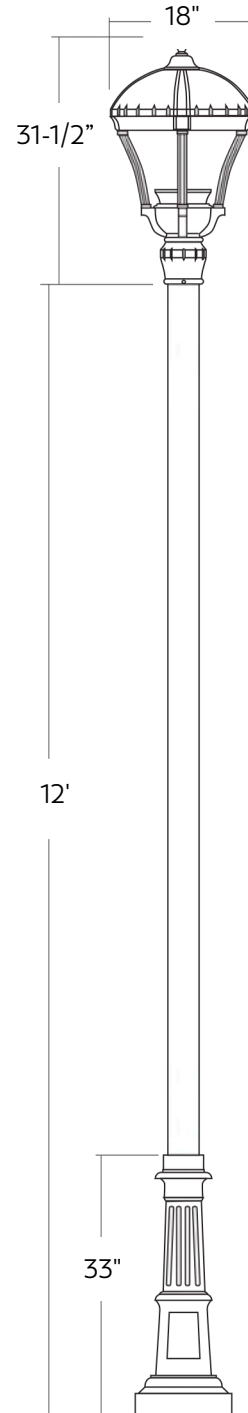
ANCHOR BOLTS

Anchor bolts are fabricated from hot rolled steel bar with minimum yield strength of 50,000 psi. These are hot dip galvanized in accordance to ASTM-A-153.

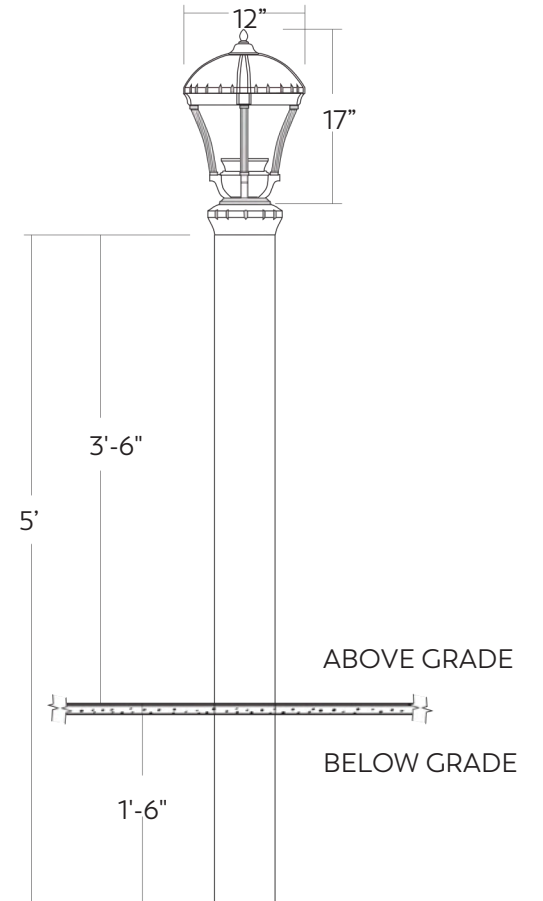
| | | | |
|---------------------------------------------------------------------------------------|-------------------|------------------------------------------------------------------------------|--|
|  | | <i>PACIFIC LIGHTING & STANDARDS COMPANY</i> LYNNWOOD, CA EST. 1984 | |
| SALES PERSON: JOHN MOORE | DATE: 05/05/23 | CATALOG NUMBER: LC-40L-MT-5-3-V-TD-PT-DBPS-5NT-10-TXBK-NDBC | |
| DRAWN BY: JOSEPH | | PROJECT NAME: | |
| CHECKED: | | CUSTOMER: DAVE MURPHY & ASSOCIATES: | |
| REVISION: | | 19 | |
| APPROVED: | | | |
| TYPE: | SCALE: NONE | PAGE 1 OF 1 | |



**MP-50L-MT-7-27-V-PT-
DBDM-4N-12-BK**

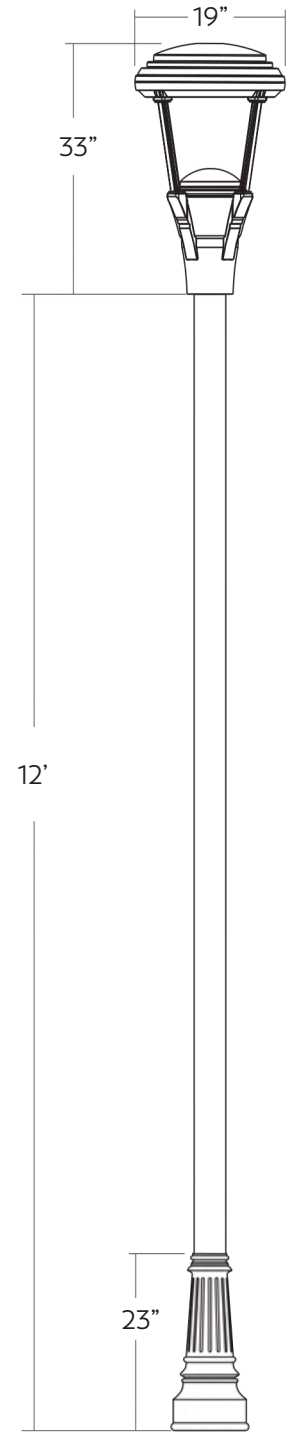


**MPB-20L-MT-5-4-V-XX-DB
DIRECT BURIAL**

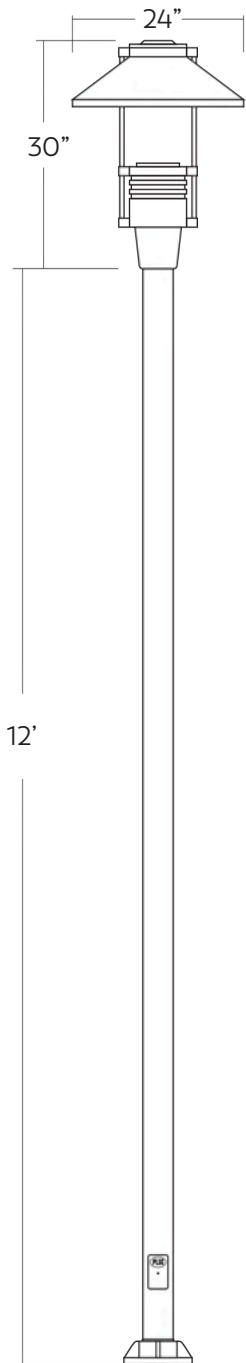




GN-50-EXLED-MT-7-4-V- PT-
RSS-11-412-TXBZ-BCN

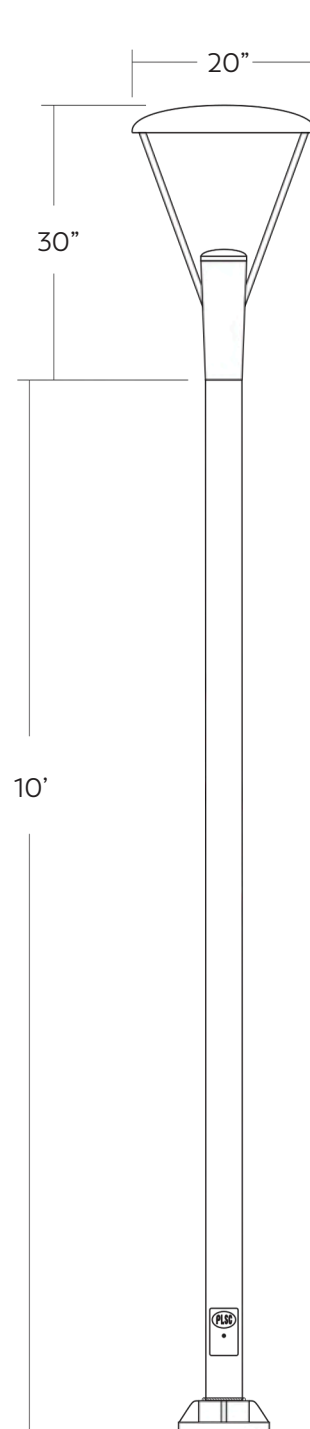


ACM-SQ-40L-MT-5-3-V-PT-
SSA-7-412-XX-BC

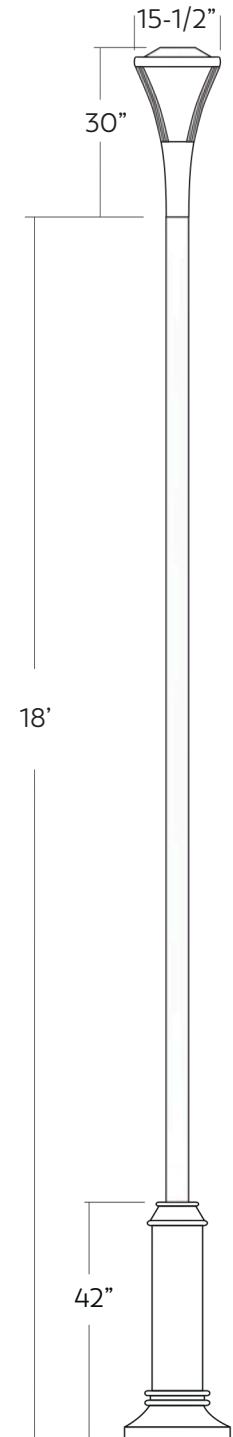




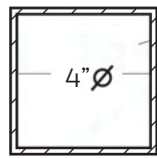
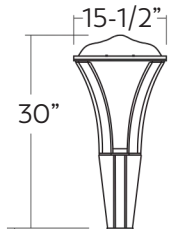
EAM-35-EXLED-MT-3-4- III-PT-
RSA-7-410-BK-BCU-4



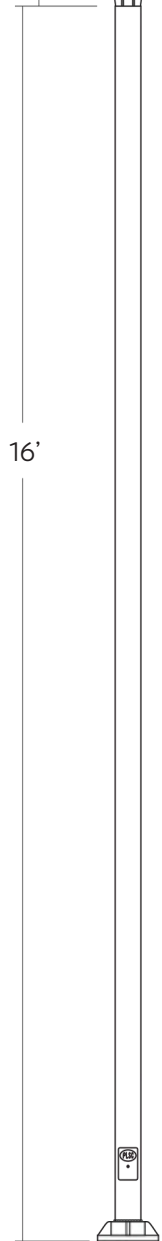
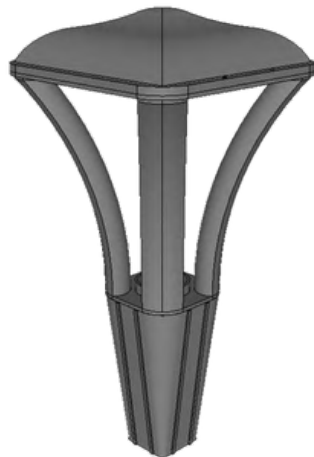
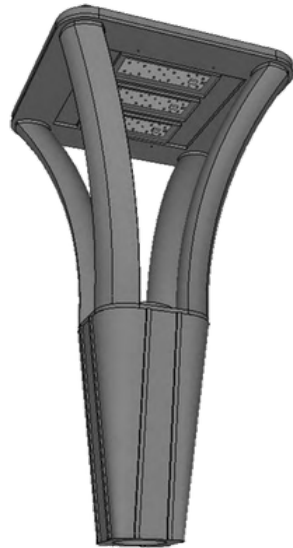
PL-1082-125L-7-3-V-PT-
PC- RSS-7-418-ZPXX-BCMON-1942



PL-1082-55L-MT-6-4-V-
PT-SSA-7-416-BK-BC



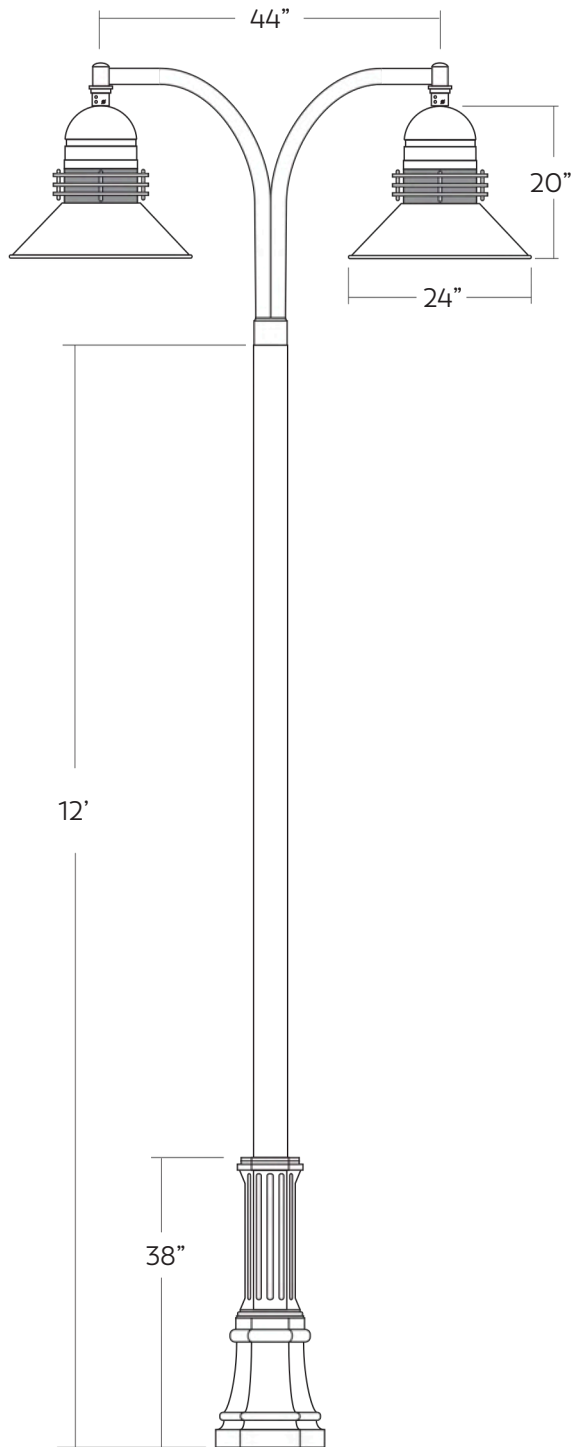
SHAFT CROSS SECTION



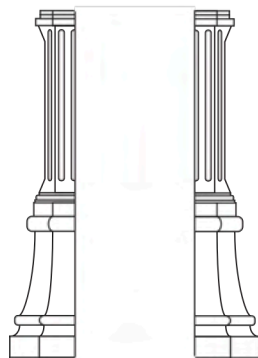
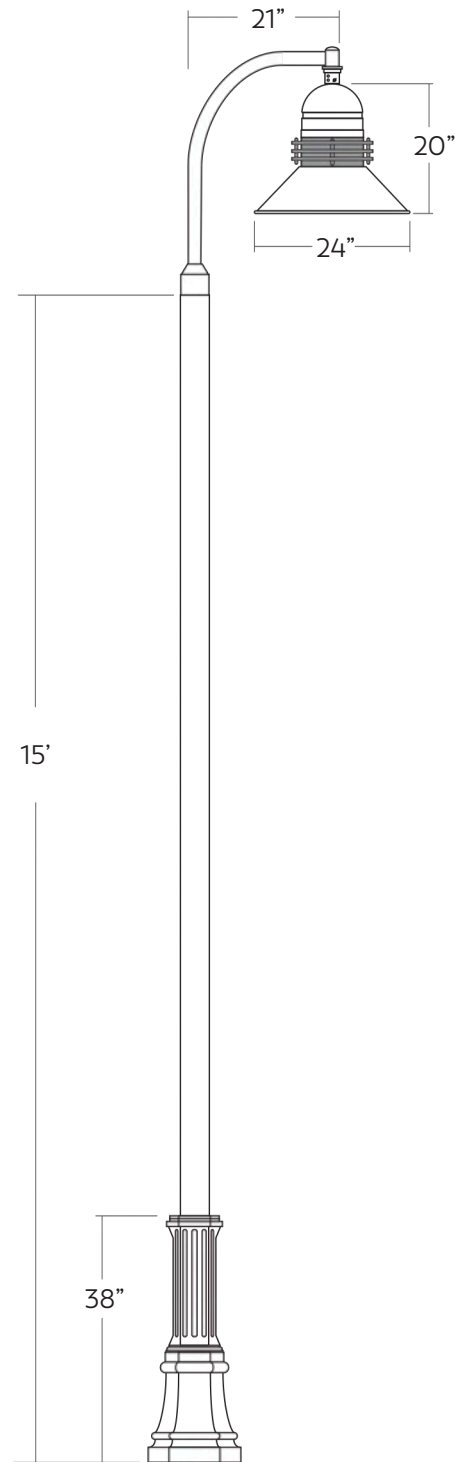


PENDANTS

VC-40-EXLED-MT-5-3-IV-2A-
CCM-RSA-7-412-TXBK-BCBO-4



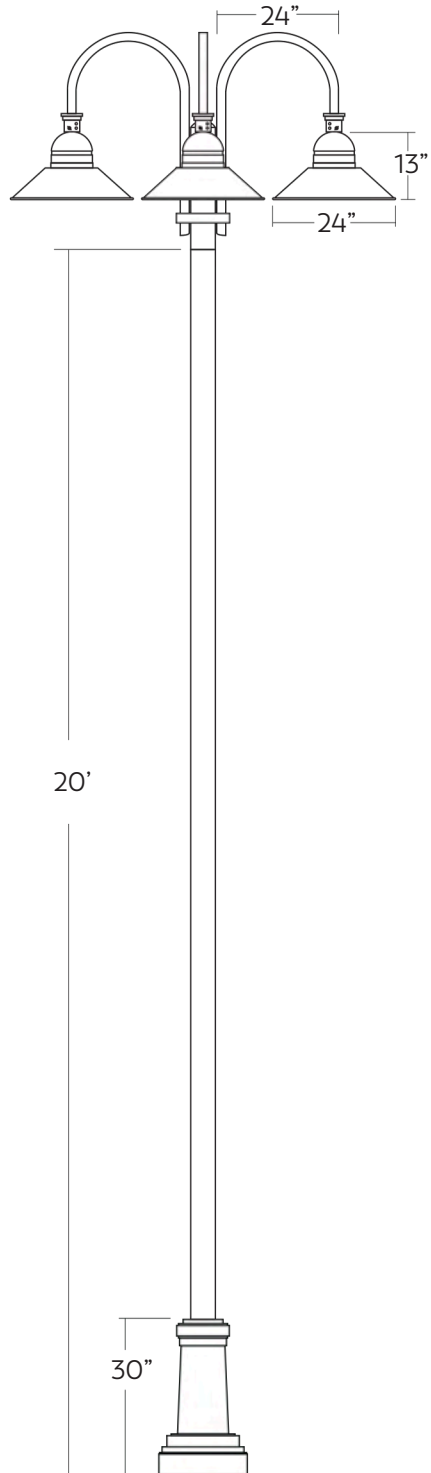
VC-40-EXLED-MT-5-3-V-1A-
CCM-RSA-7-415-TXBK-BCBO-4



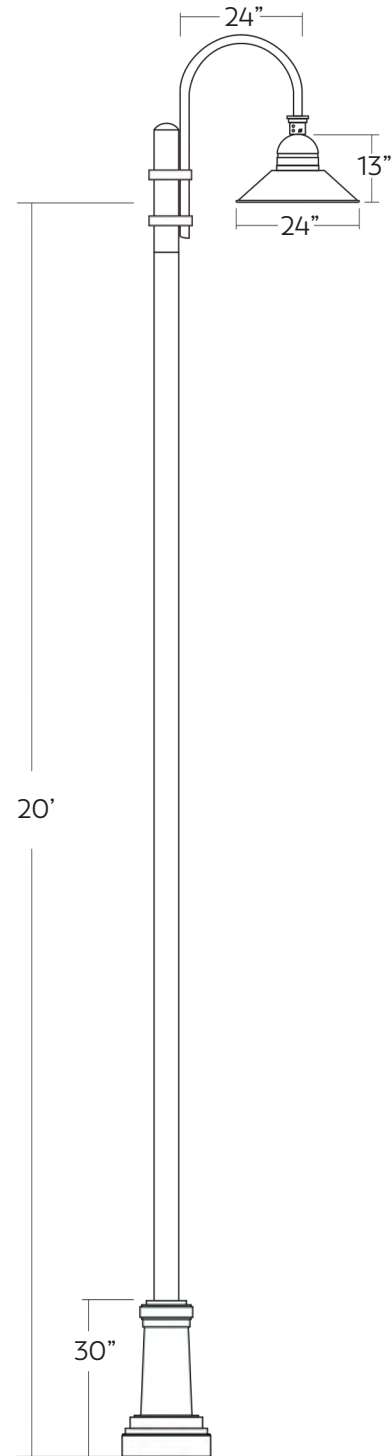
TWO PIECE CAST
ALUMINUM BASE COVER



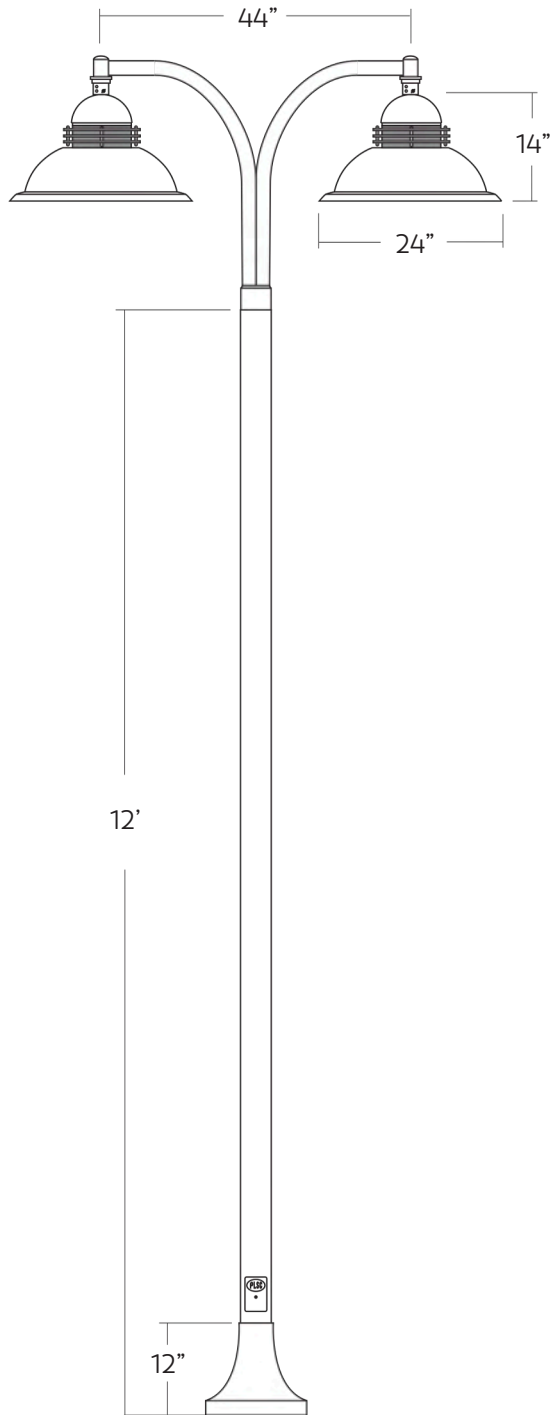
VC-EXLED-3A-CB-RSS-11-520-BCR-5



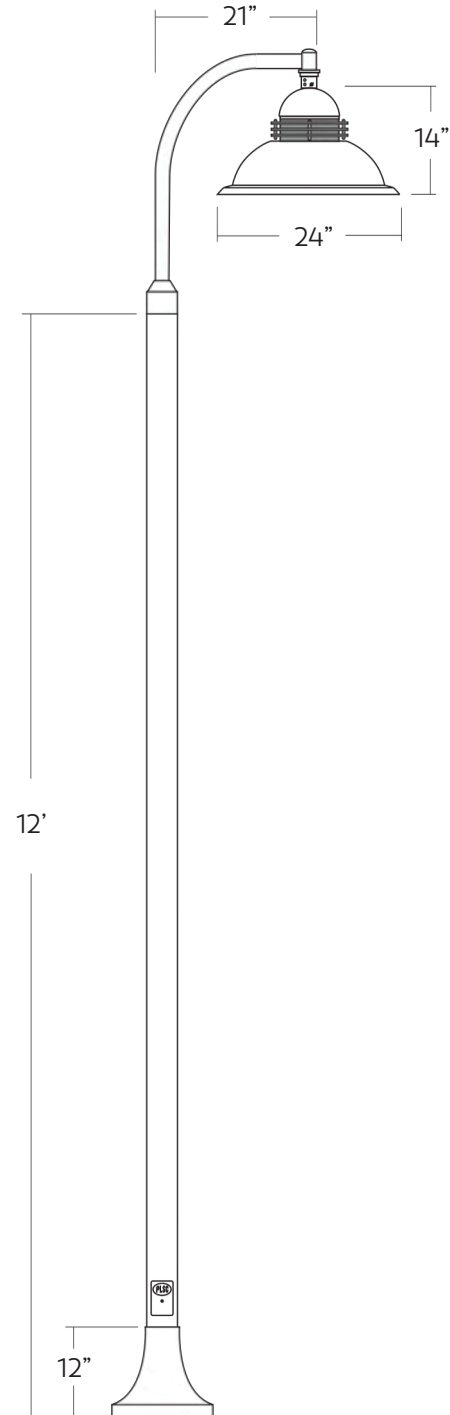
VC-EXLED-1A-CB-RSS-11-520-BCR-5



VD-40L-MT-4-3-V-SS-2A-
CCM-RSA-7-412-TXBK-BCC-4

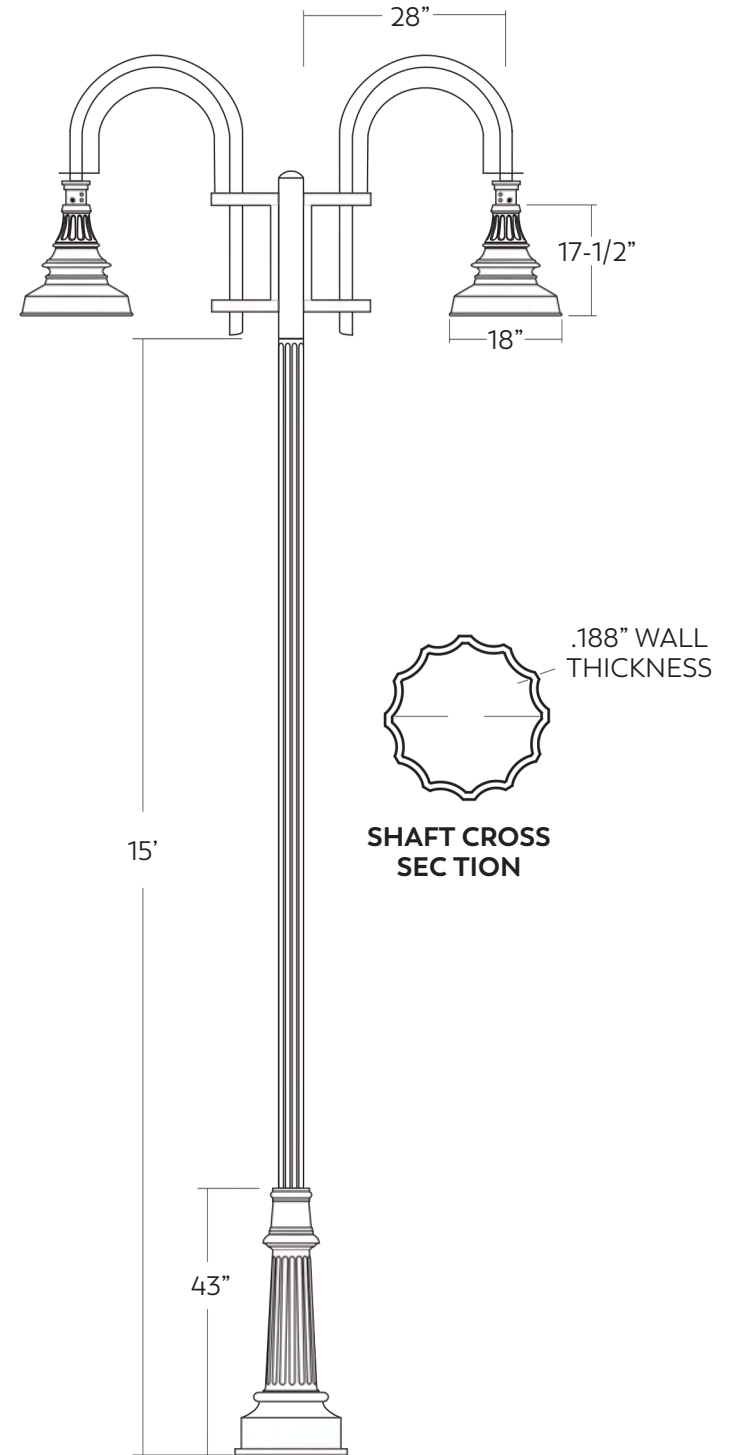


VD-40L-MT-4-3-V-SS-1A-
CCM-RSA-7-412-TXBK-BCC-4





VJ-100L-MT-7-3-III-2A-CG-PC-
RSA-7-4F-15-RAL6033-BCDPSS-4-9"-11"BCD-LAB





CORNERSTONE AFRICAN FABRICS

CORNERSTONE AFRICAN FABRICS

172-174

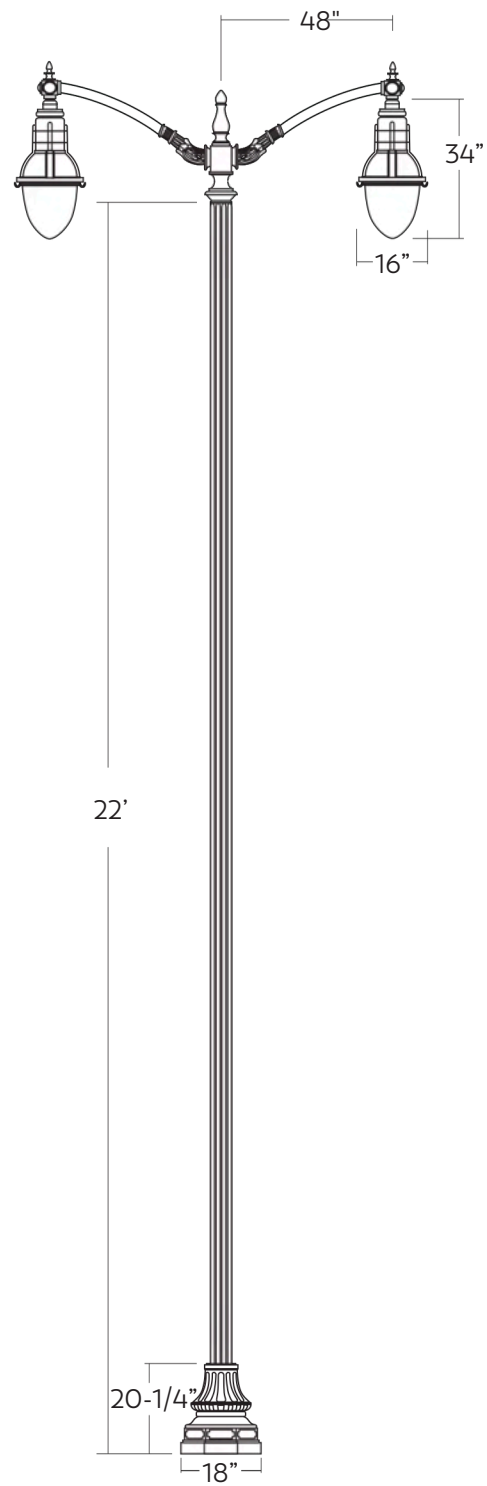
172-174

862-292-7217

174

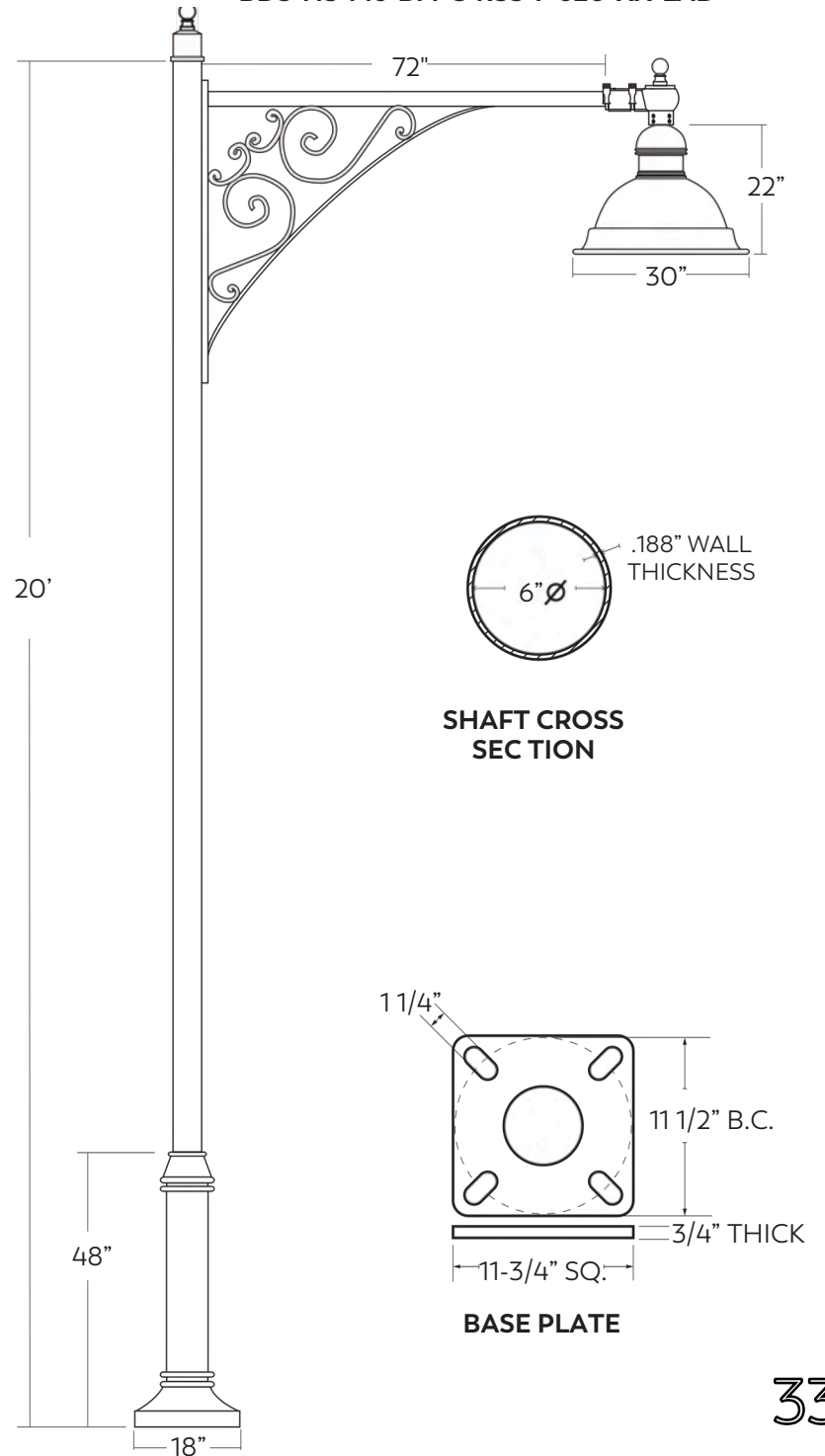


AF-TD-60-LED-MT-5-4-II-1A-
BC4-RSA-5F-22-BC WO -1820





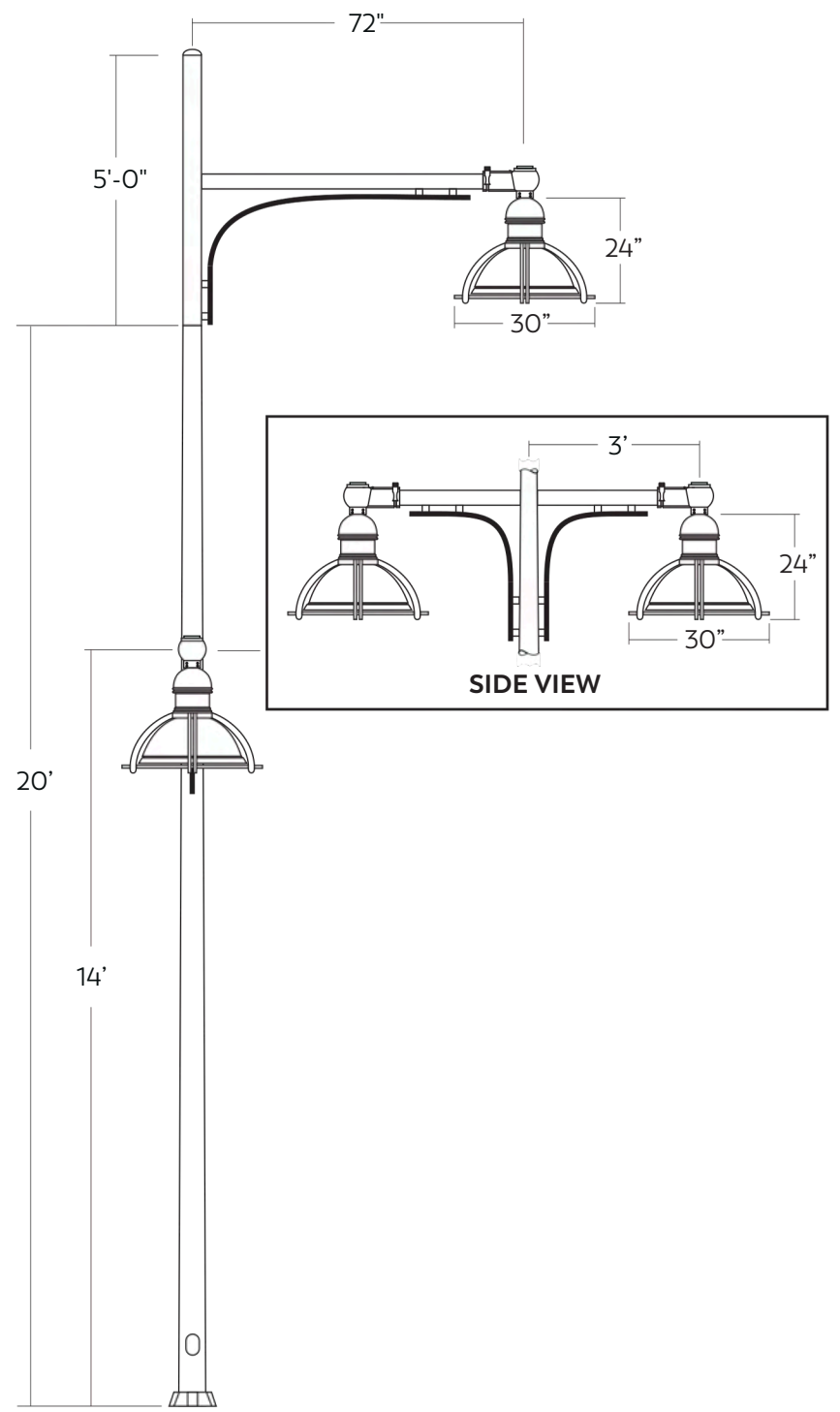
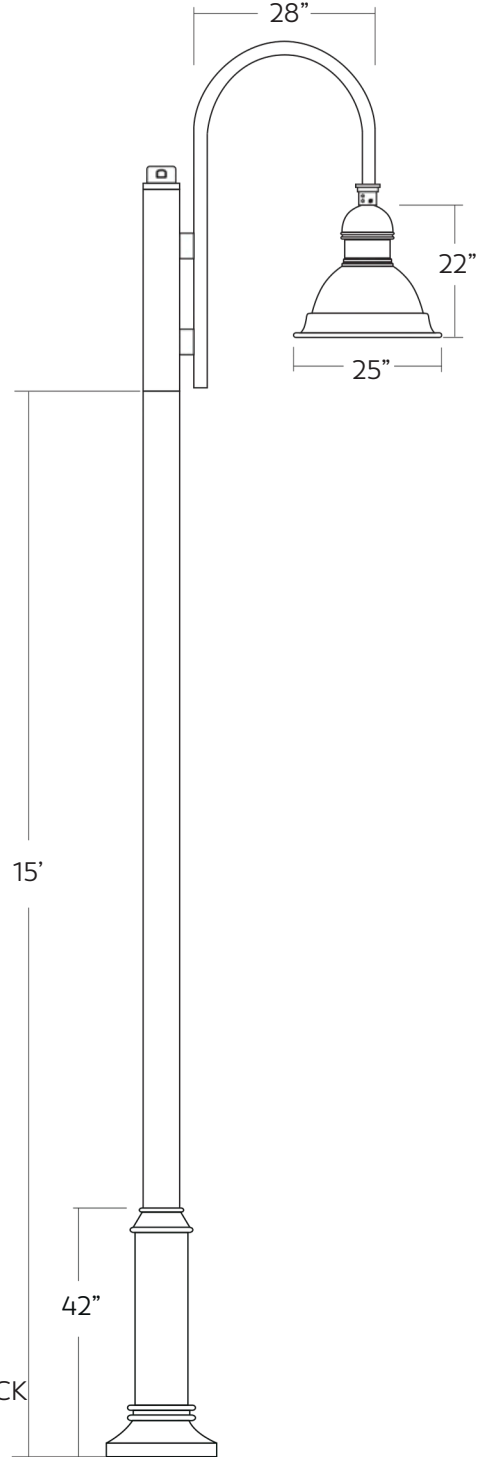
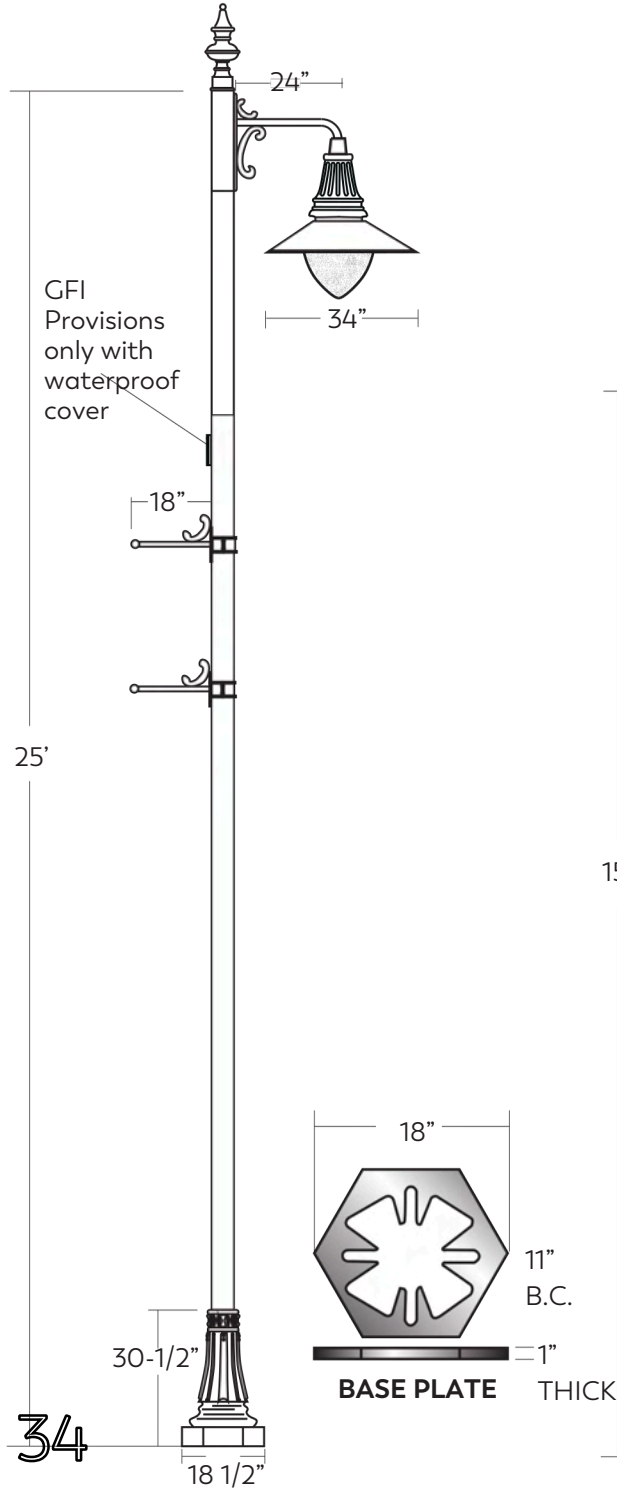
VAA-30-125-EXLED-MT-5-4-V-1A-
BDS-HS-M6-BFPC-RSS-7-620-XX-LAB



PL-288M-75L-RTR-5700-MT-4000-TD-ISC-1A-
ACDM-SH-DBA-5N-25-(2)BAD-1A-GFI-6005

VAA-60L-MT-6-3-V-1A-CF-TLPC-
RSA-7-515-XX-BCMON1942-5

PL-492M-150L-MT-7-4-WDRWY-1A- CLUDM-
6-50L-7-4-V-2A-14'B-RTA-7-620-XX

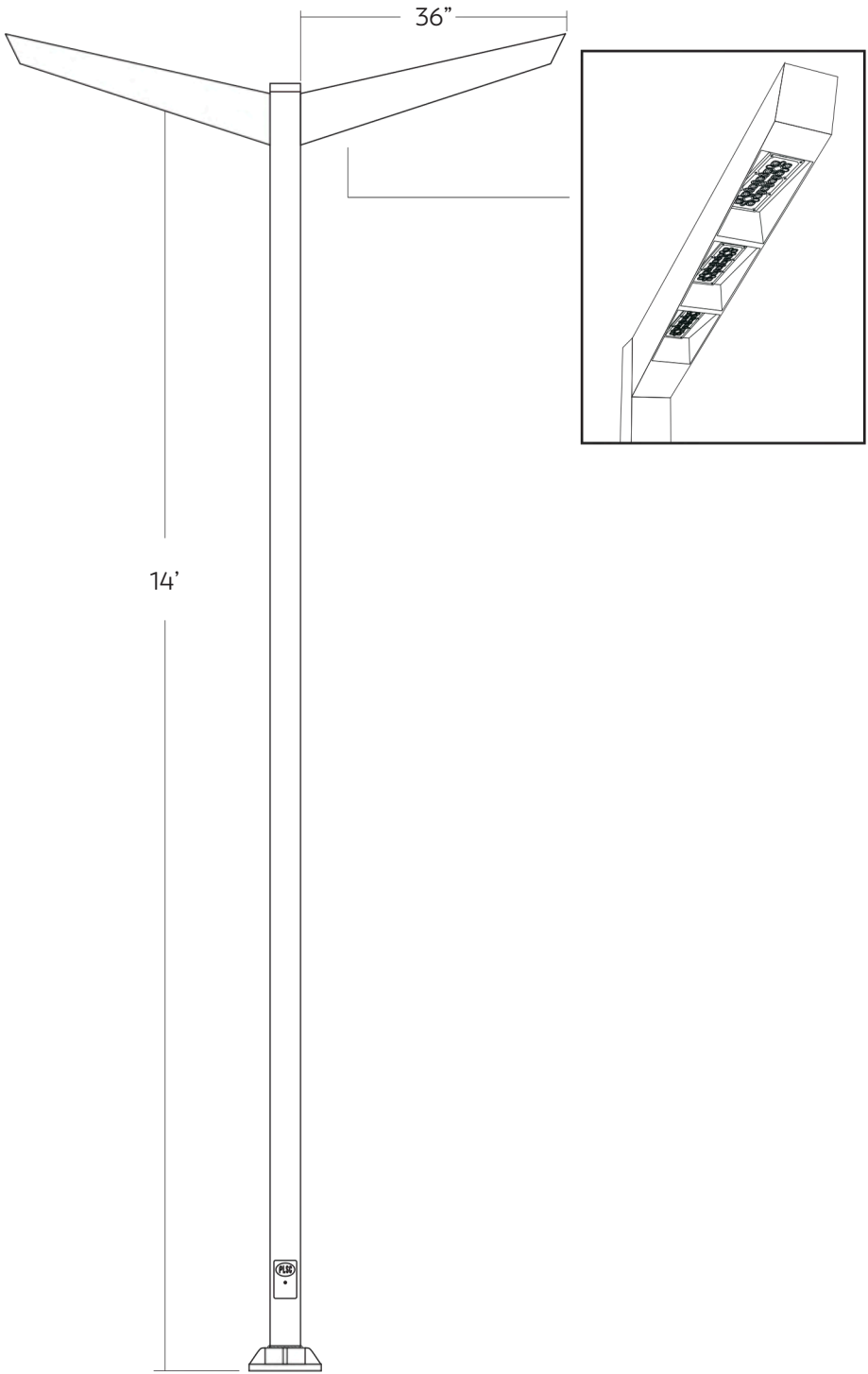




SITE & AREA

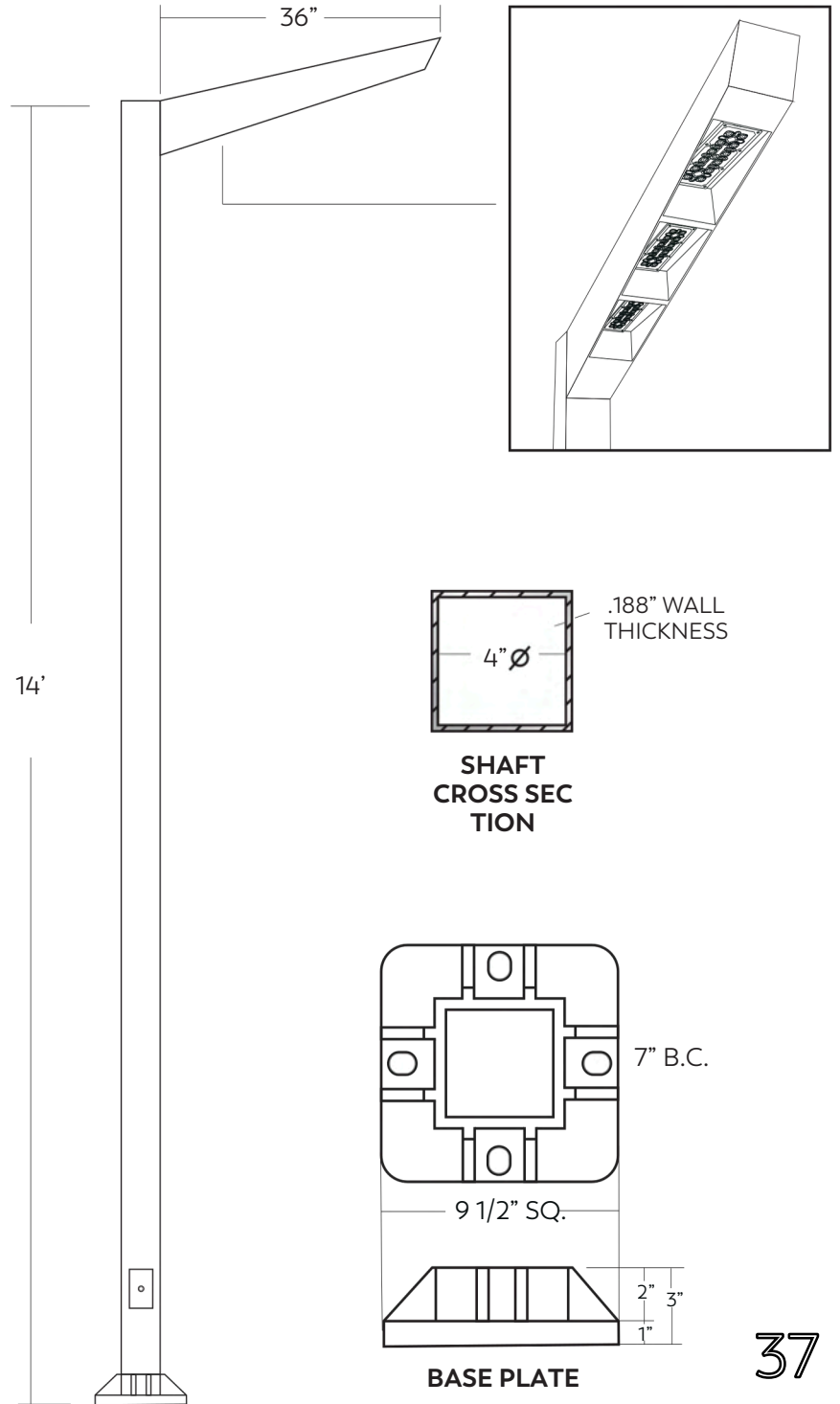


PL-237-2A-SSA-7-414



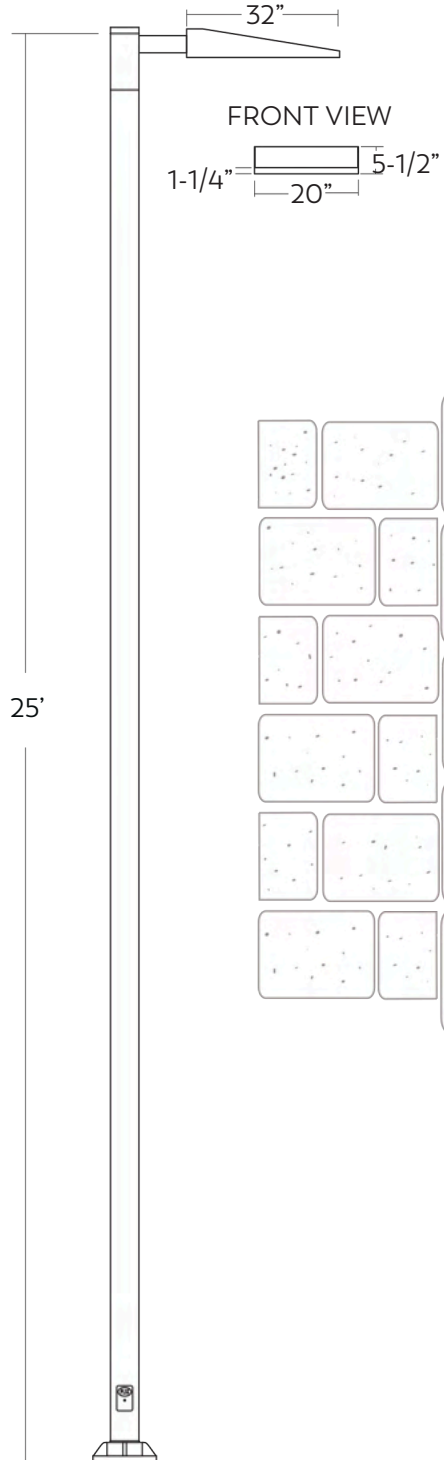


PL-237M-55-EXLED-MT-5-3-IV-1A-
SSA-7-414-TXBK-BC-7"BCD90

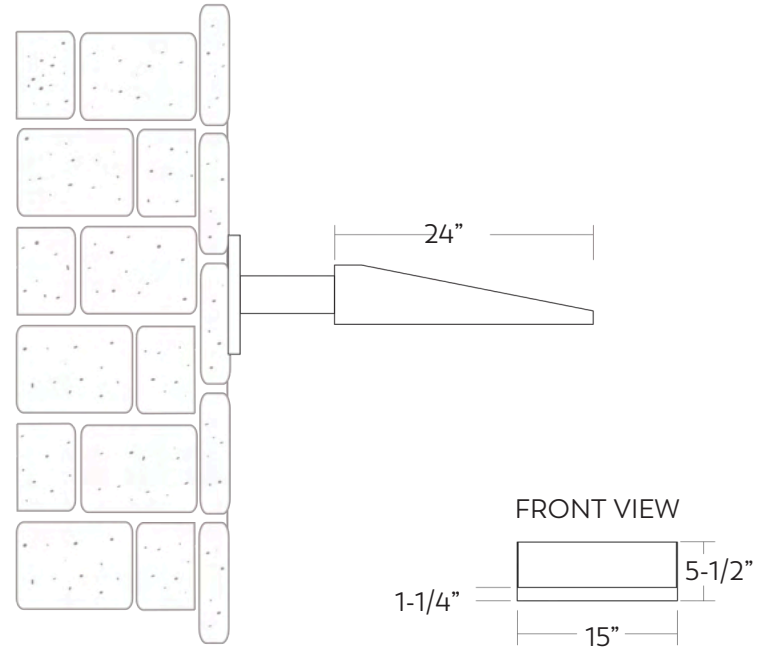




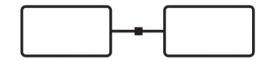
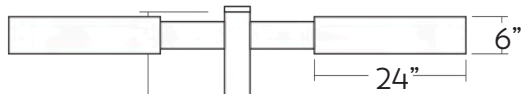
**EXSL-300L-MT-7-4-II- 1A-
HS-RSA-7-625-BK-BCV**



EXSM-75L-MT-7-3-IV-WM-XX



SBB-150L-MT-7-4-V- 2A-
SSS-7-420-ZPWH-BC



2A - DOUBLE ARM

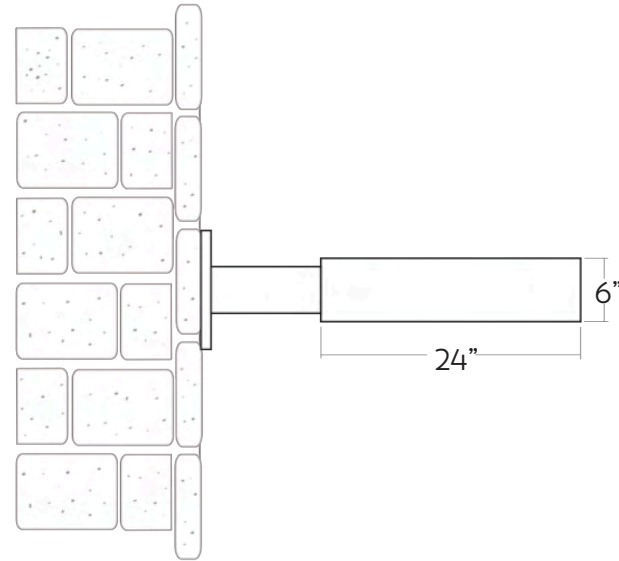
20'



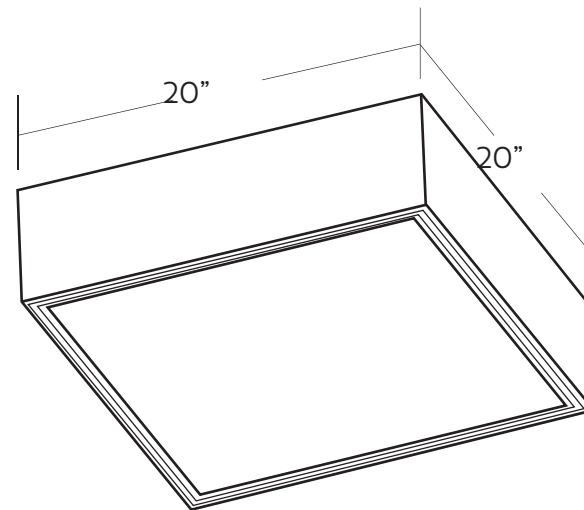
.188" WALL
THICKNESS

SHAFT CROSS
SECTION

SBB-150L-MT-7-4-IV-WM-WH
WALL MOUNT



SBB-75L-MT-7-4-V-BK-CM
CANOPY MOUNT

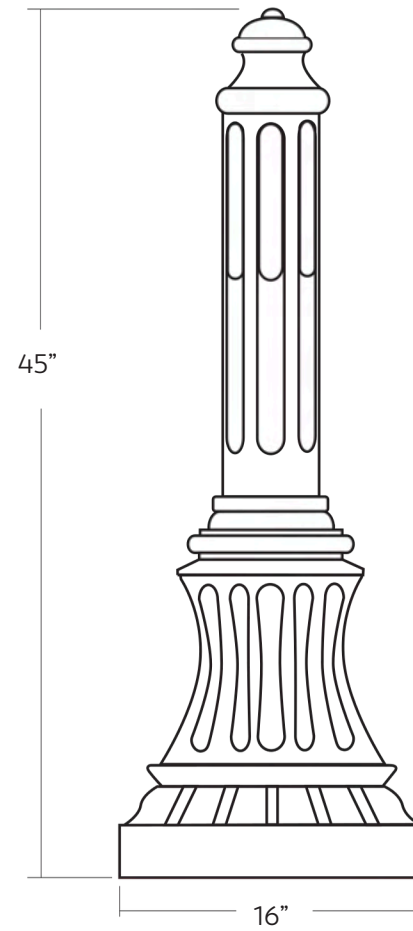




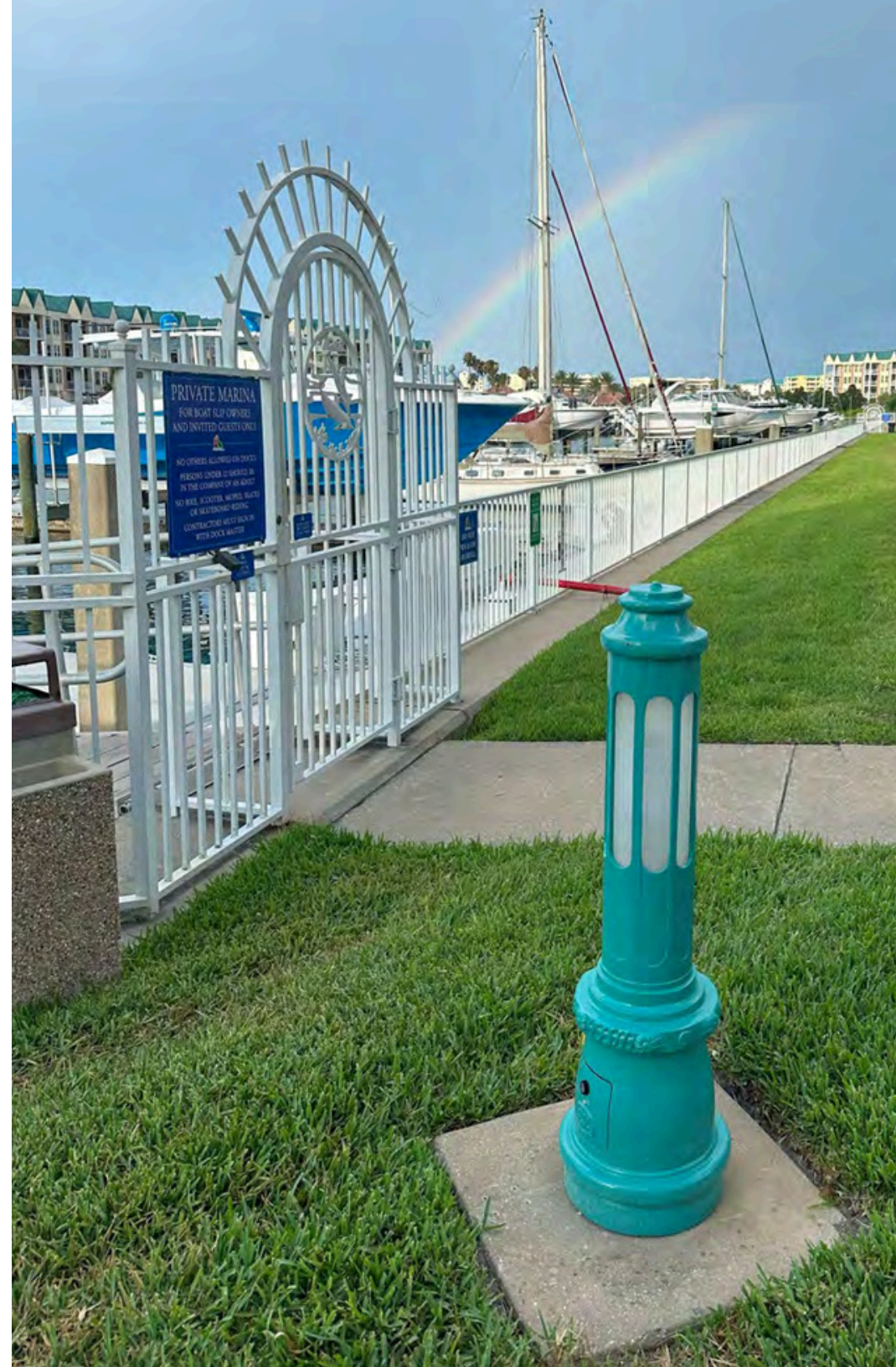
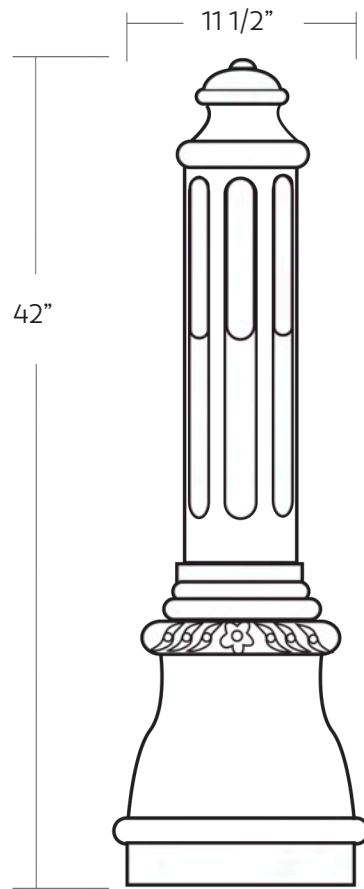
**LIGHT COLUMNS
BOLLARDS & WALL PACKS**



BXM-563-30-LED-MT-5-3-V-BK-PC

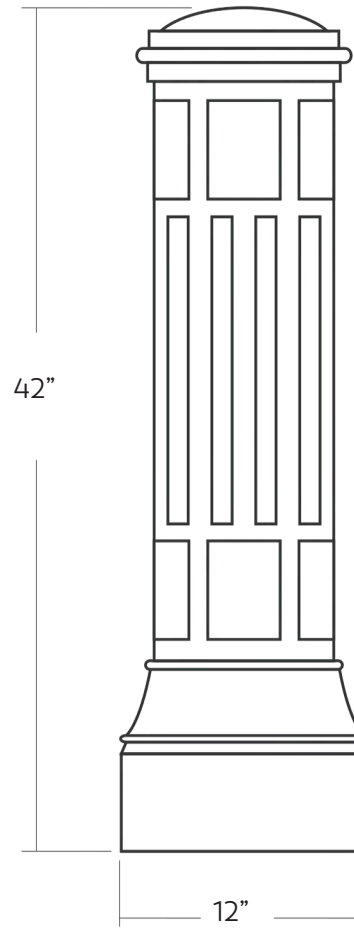


BX-24-LED-MT-5-3-V-WL-RAL6033

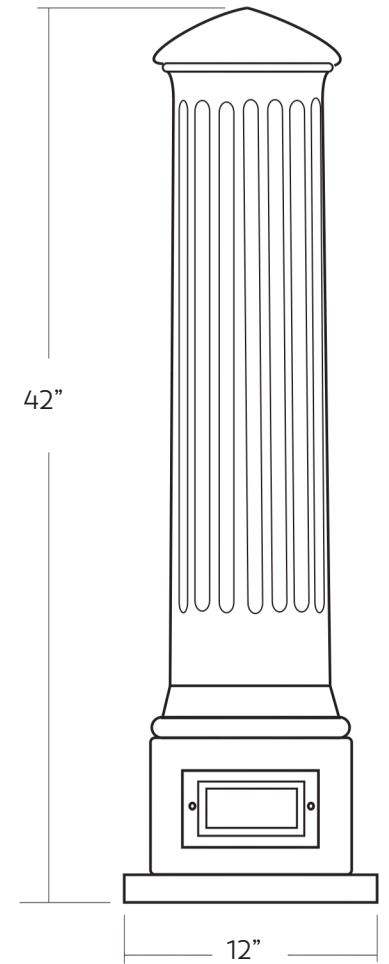




BY-24-LED-MT-4-3-WL-BK

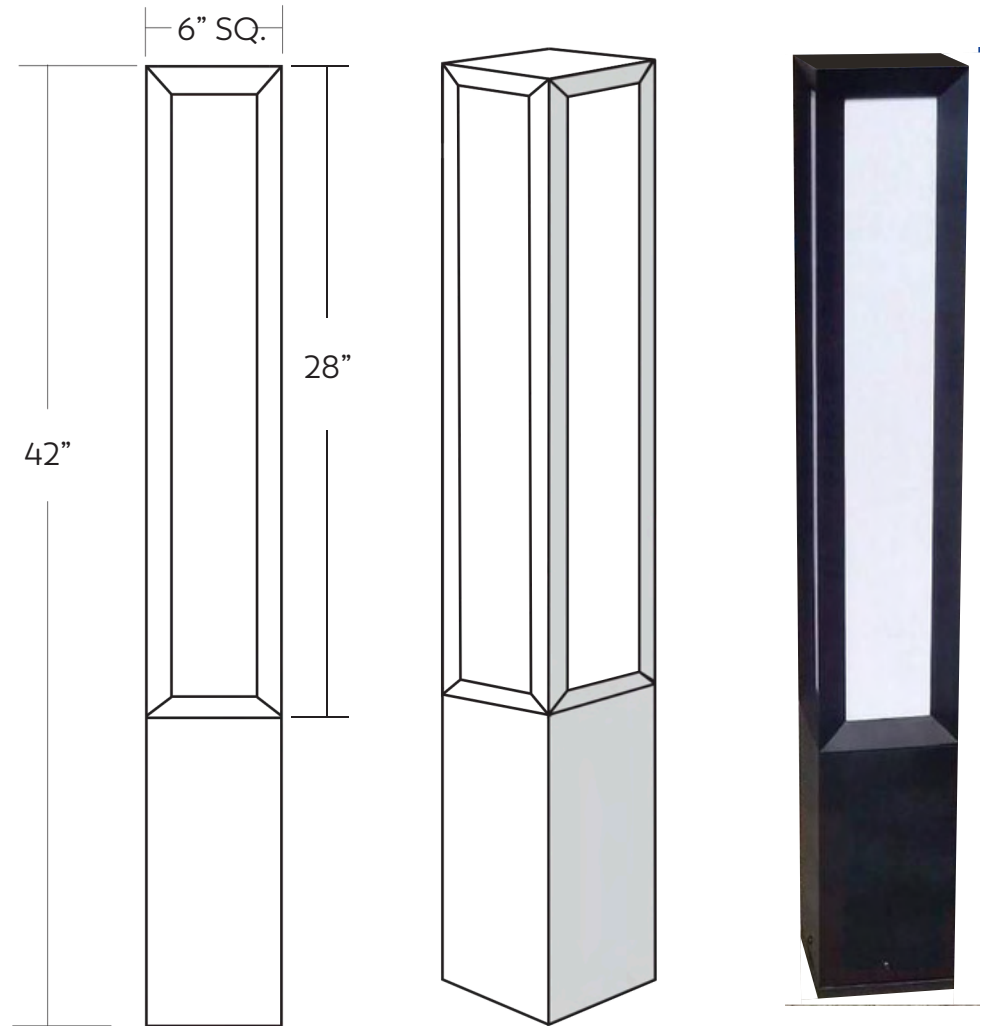


BZ-NL-ZPBK-RMV



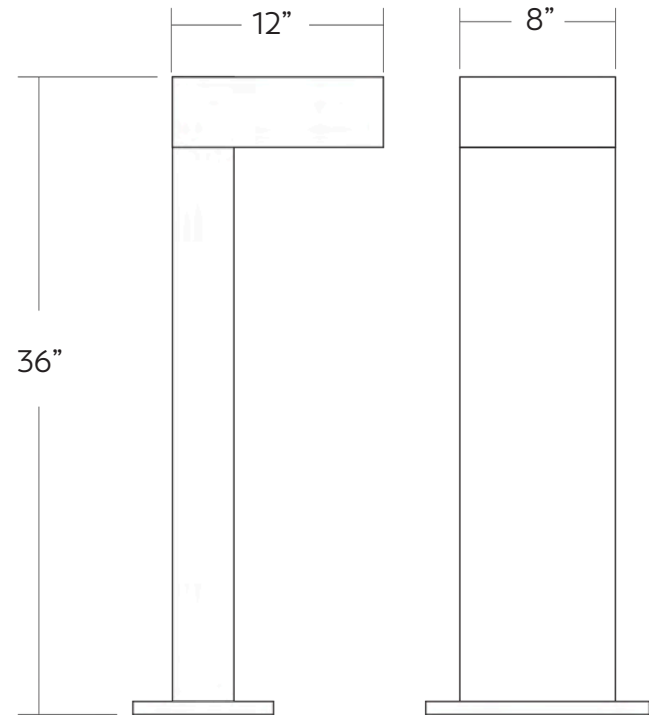


PL-241M-24-LED-MT-3-3-WL-TXBK-3.5

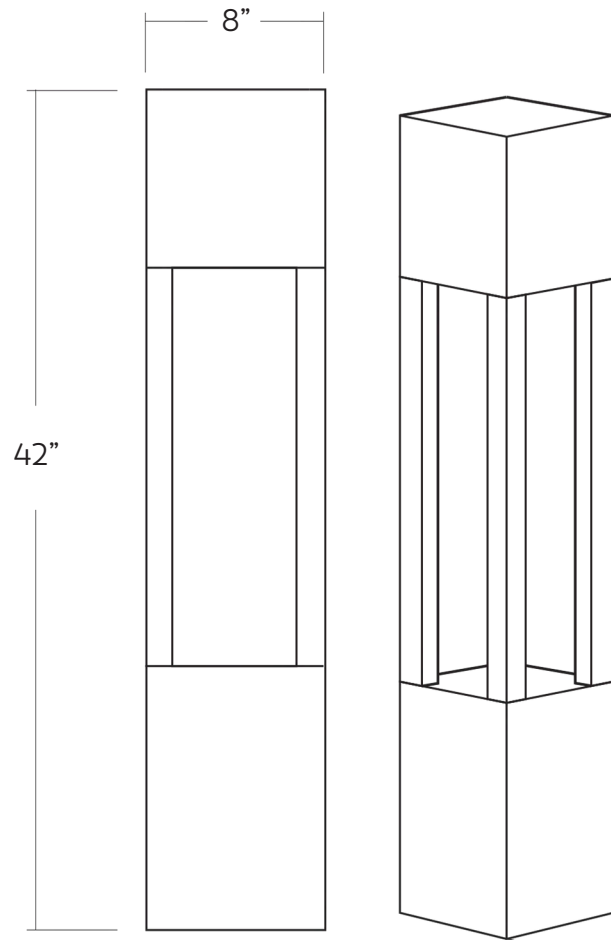




BSM-12L-MT-3-3-III-TXBK-36



PL-241-20L-MT-4-3-V-TXBK



Open air bollard- Lens and LED module located in upper housing

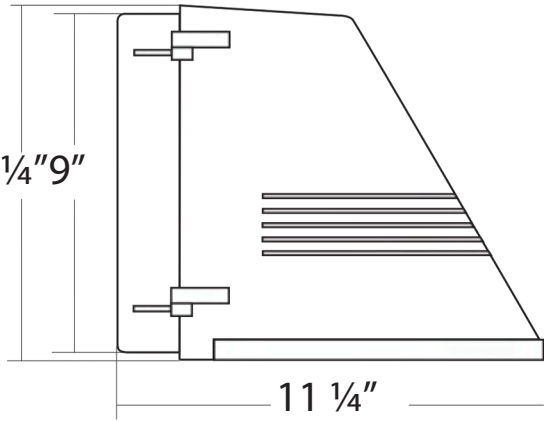


CATALOG NUMBER:WZ-50L-MT-7-4-III-XX

SPECIFICATIONS

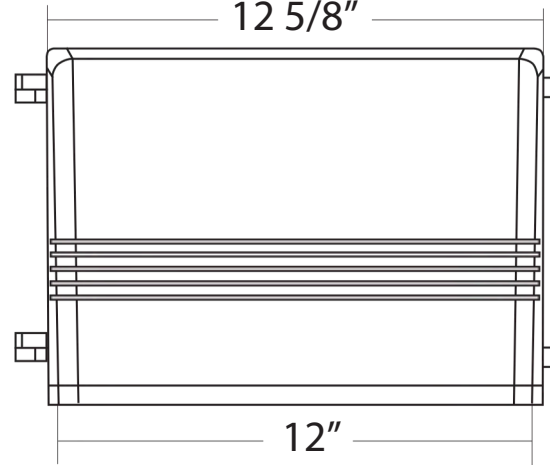
| | |
|----------|------------------------------------------------|
| Housing: | Heavy duty die casting aluminum. |
| LED: | 50 watts, multi-tap. |
| Optics: | Type 3 light distribution. |
| Finish: | Polyester powder fuse coating. (specify color) |

9 1/4"9"

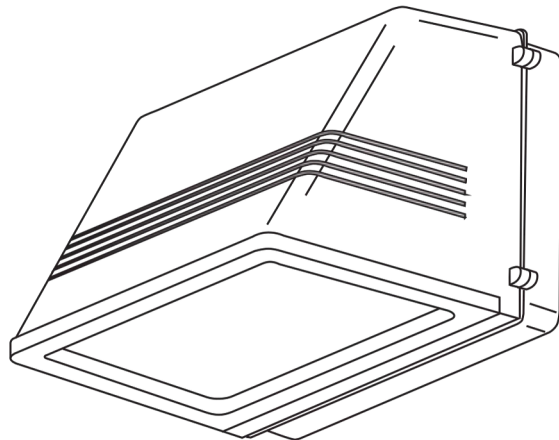


11 1/4"

12 5/8"



12"



WM - WALL MOUNT



PACIFIC LIGHTING & STANDARDS COMPANY
LYNNWOOD, CA
EST. 1984

| | | | |
|-----------------------------|----------------|-------------------|-------------------------------------------|
| SALES PERSON: JOHN MOORE | | DATE: 04/11/24 | CATALOG NUMBER: WZ-50L-MT-7-4-III-XX |
| DRAWN BY: CHRIS | | | PROJECT NAME: |
| CHECKED: | | | |
| REVISION: | | | |
| APPROVED: | | | CUSTOMER: DAVE MURPHY & ASSOCIATES: |
| TYPE: WP3 | SCALE: NONE | PAGE 1 OF 1 | 47 |

**FIXTURE & POLE CUSTOMIZATIONS AVAILABLE:
WATTAGE, DISTRIBUTION PATTERN, SHIELDING,
ADORNMENTS & COLOR**

CONTACT FOR INQUIRIES, PROJECT DRAWINGS AND IES FILES



DMA

**DAVE MURPHY & ASSOCIATES
PUBLIC SPACES.
INTEGRATED SOLUTIONS.**

DaveMurphy.com



Streetscape@DaveMurphy.com



(201) 501-8336